



LULU Single-lever basin mixer with pop-up waste - Chrome

33 500 710 Product version from 5/10/2021



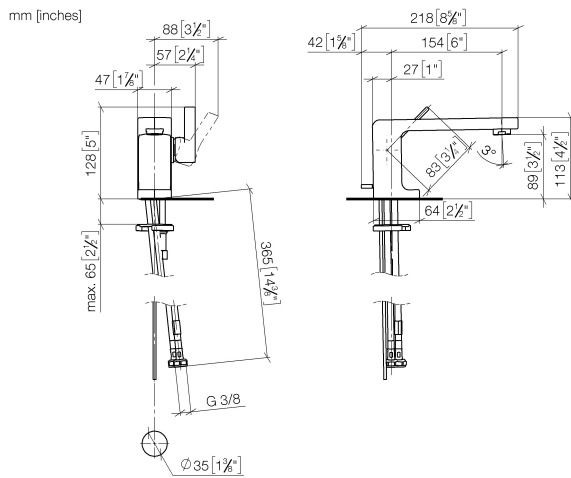
- 155mm projection
- fixed spout
- circular, air-enriched flow
- height of mixer 113 mm
- height up to aerator 90 mm
- hole diameter 35 mm
- 2x screw-in M 8 x 1 pressure hose, leak-tested
- max. flow 7 l/min
- lead-free
- WRAS
- This product can help a building meet the requirements of Green Building Rating Systems, e.g. LEED®, BREEAM®, DGNB

Only suitable for basins with an overflow.

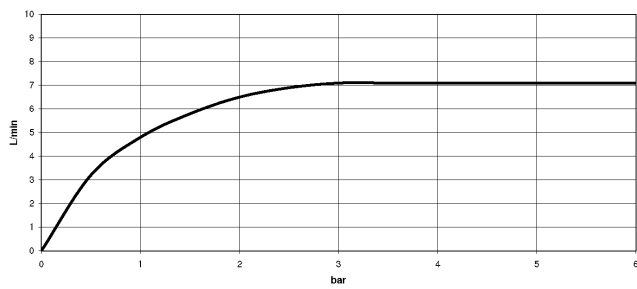
	Chrome	33 500 710-00
	Brushed Platinum	33 500 710-06

LULU Single-lever basin mixer with pop-up waste - Chrome

33 500 710 Product version from 5/10/2021



Flow rate chart



Codes & Standards

DIN 4109	EN 817	Executive Order no. 1007	ISO 3822
Scottish Water Byelaws	UK Water Supply Regulations	Ü-Zeichen	VA-Zeichen



LULU Single-lever basin mixer with pop-up waste - Chrome

33 500 710 Product version from 5/10/2021

Certificates

LGA_9

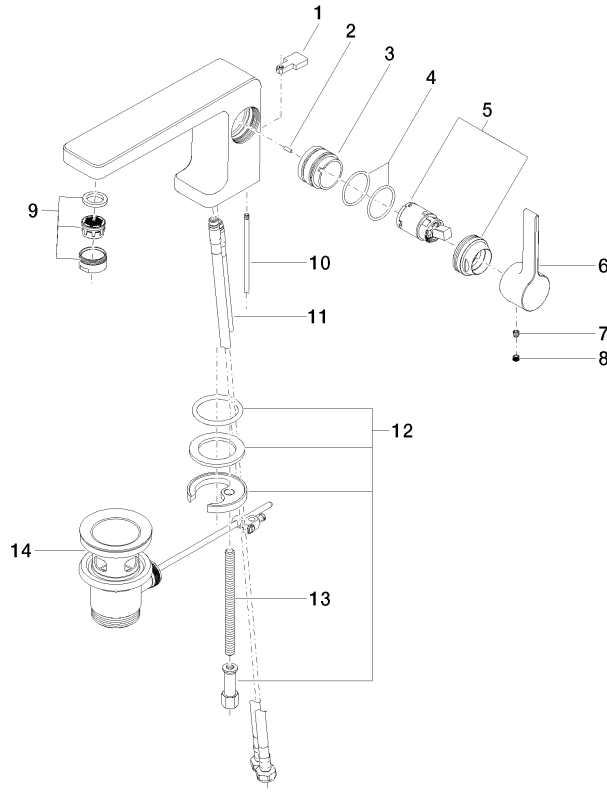
WRAS_2001

ETA_18

GDV_0400

LULU Single-lever basin mixer with pop-up waste - Chrome

33 500 710 Product version from 5/10/2021



Spare parts list

No.	Item Number	Name	Quantity used	Delivery time
1	09 20 71 030-00	handle	1	10
2	09 31 11 111 90	pin	1	2
3	09 18 40 095 10 90	sleeve	1	2
4	09 14 10 137 90	seal	2	2
5	90 15 05 041 00-00	cartridge	1	2
6	09 20 71 040-00	handle	1	10
7	90 31 11 030 00 90	pin	1	2
8	90 31 20 109 00 90	plug	1	2
9	90 23 01 118 01-00	aerator	1	10
10	09 31 09 080-00	pull-rod	1	10
11	04 30 04 100 00 90	hose	2	2
12	04 30 11 038 75 90	fixing set	1	2
13	09 31 11 012 90	pin	1	2
14	90 11 01 001 00-00	pop-up waste	1	10