

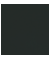



DORNBACHT YARRE Single-lever basin mixer with pop-up waste - Soft Black

33 501 832



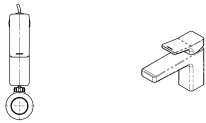
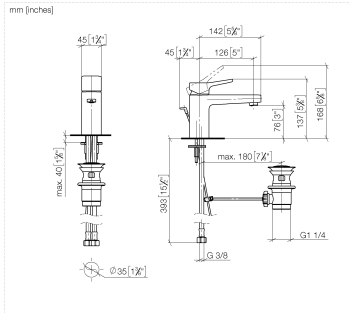
- 120mm projection
- fixed spout
- circular, air-enriched flow
- height of mixer 126 mm
- height up to aerator 80 mm
- hole diameter 35 mm
- 2x screw-in M 8 x 1 pressure hose, leak-tested
- max. flow 6.8 l/min
- WRAS 240104004

| | | |
|--|------------|---------------|
|  | Soft Black | 33 501 832-69 |
|  | Chrome | 33 501 832-00 |

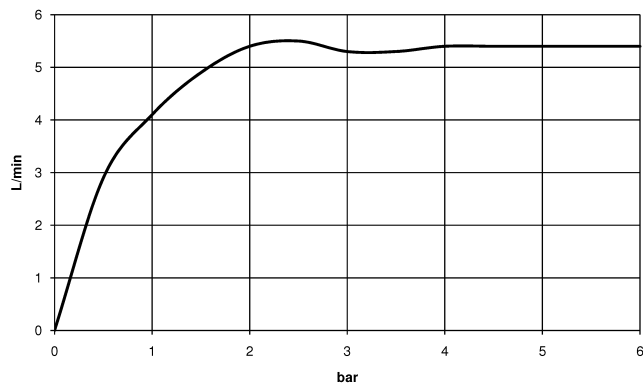


DORNBRACHT YARRE Single-lever basin mixer with pop-up waste - Soft Black

33 501 832



Flow rate chart



Codes & Standards

DIN 4109

ISO 3822

Scottish Water
Byelaws

UK Water Supply
Regulations

Ü-Zeichen

XP P 41-280



DORNBACHT YARRE Single-lever basin mixer with pop-up waste - Soft Black

33 501 832

Certificates

AbP_10

WRAS_240104

ACS_23 ACC NY

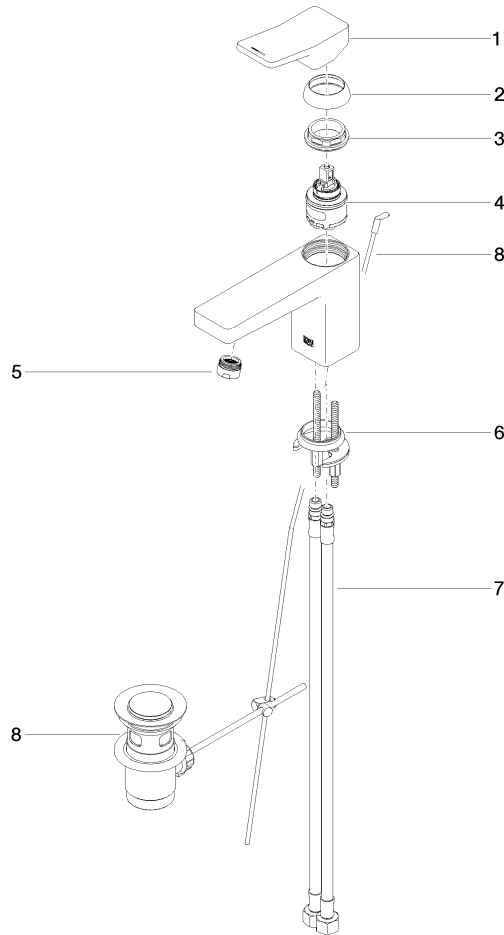


DORNBACHT YARRE Single-lever basin mixer with pop-up waste - Soft Black

33 501 832

Product version from 1/1/2023

Parts for other finishes can be found here: [Chrome](#)





DORNBACHT YARRE Single-lever basin mixer with pop-up waste - Soft Black

33 501 832

Spare parts list

Product version from 1/1/2023

| No. | Item Number | Name | Quantity used | Delivery time |
|-----|--------------------|--------|---------------|---------------|
| | 90 20 83 004 00-69 | handle | 9 | 2 |