

EDITION PRO GRANDE Single-lever basin mixer with pop-up waste - Chrome


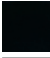

---

33 502 626



- 130mm projection
- fixed spout
- circular, air-enriched flow
- height of mixer 142 mm
- height up to aerator 52 mm
- hole diameter 35 mm
- 2x screw-in M 10 x 1 pressure hose, leak-tested
- max. flow 7 l/min
- lead-free
- WRAS 1805123

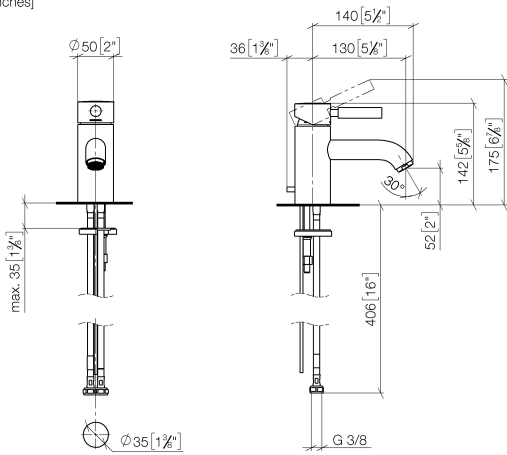
Only suitable for basins with an overflow.

	Chrome	33 502 626-00
	Matte Black	33 502 626-33
	Brushed Chrome	33 502 626-93

**EDITION PRO GRANDE Single-lever basin mixer with pop-up waste - Chrome**

33 502 626

mm [inches]



**Flow rate chart**

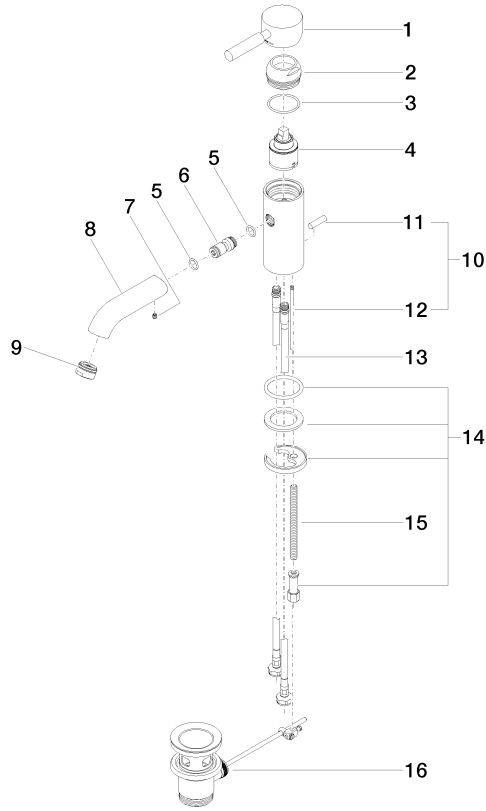


**Certificates**

WRAS\_1805123. LGA\_9389.

**EDITION PRO GRANDE Single-lever basin mixer with pop-up waste - Chrome**

33 502 626



**Spare parts list**

No.	Item Number	Name	Quantity used	Delivery time
1	90 20 62 047 00-00	handle	1	10
2	09 28 30 016-00	cover	1	10
3	09 14 10 134 90	seal	1	2
4	90 15 05 045 00 90	cartridge	1	2
5	09 14 10 003 90	seal	1	2
6	09 24 04 025 10 90	nipple	1	2
7	90 31 11 030 00 90	pin	1	2
8	09 11 06 063 10-00	spout	1	10
9	90 23 01 118 01-00	aerator	1	10
11	04 20 62 030 80-00	pull-rod	1	10
12	09 20 62 030-00	handle	1	10
13	09 31 09 080-00	pull-rod	1	10
14	04 30 04 104 00 90	hose	2	2
15	04 30 11 038 00 90	fixing set	1	2
16	09 31 11 012 90	pin	1	2
17	90 11 01 001 00-00	pop-up waste	1	10