


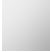


DORNBACHT YARRE Single-lever basin mixer with raised base without pop-up waste - Soft Black

33 537 832 Product version from 1/1/2023



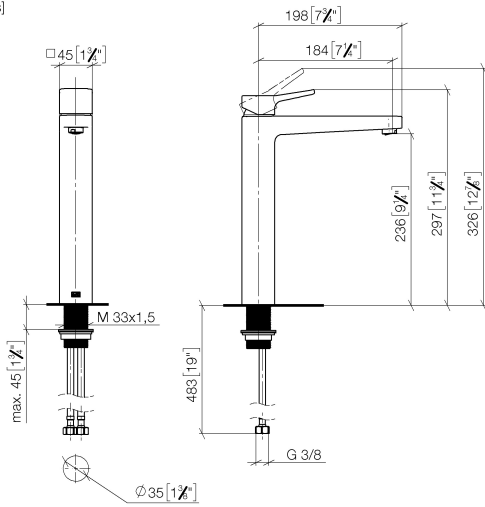
- 180mm projection
- fixed spout
- circular, air-enriched flow
- height of mixer 297 mm
- height up to aerator 236 mm
- hole diameter 35 mm
- 2x screw-in M 8 x 1 pressure hose, leak-tested
- max. flow 6.8 l/min
- WRAS

	Soft Black	33 537 832-69
	Chrome	33 537 832-00



DORNBRACHT YARRE Single-lever basin mixer with raised base without pop-up waste - Soft Black

33 537 832 Product version from 1/1/2023
mm [inches]



Flow rate chart



Codes & Standards

DIN 4109

ISO 3822

Scottish Water
Byelaws

UK Water Supply
Regulations

Ü-Zeichen

XP P 41-280



DORNBACHT YARRE Single-lever basin mixer with raised base without pop-up waste - Soft Black

33 537 832 Product version from 1/1/2023

Certificates

AbP_10

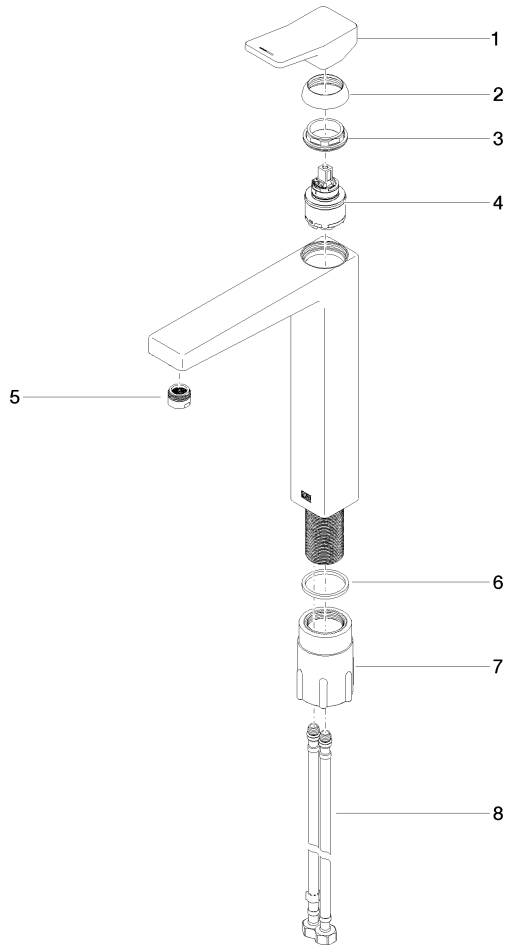
ACS_23 ACC NY

WRAS_240104

DORNBRACHT YARRE Single-lever basin mixer with raised base without pop-up waste - Soft Black

33 537 832 Product version from 1/1/2023

Parts for other finishes can be found here: [Chrome](#)



Spare parts list

No.	Item Number	Name	Quantity used	Delivery time
1	90 20 83 004 00-69	handle	1	2
2	90 21 02 400 00-69	cover	1	2
3	90 23 10 140 00 90	nut	1	2
4	90 15 05 502 00 90	cartridge	1	2
5	90 23 01 177 00-69	aerator	1	2
6	90 14 05 082 00 90	seal	1	2
7	90 30 11 505 00 90	fixing set	1	2
8	90 30 04 115 00 90	hose	1	2