

META SQUARE Single-lever mixer - Matte Black

33 800 861 Product version from 2/1/2023



- 200mm projection
- pivotable spout 360°
- Optional swivel limiter available with swivel limiter set 12 820 970 90
- air-enriched flow
- max. flow 8 l/min at 3 bar flow pressure
- lead-free
- This product can help a building meet the requirements of Green Building Rating Systems, e.g. LEED®, BREEAM®, DGNB
- WRAS

	Matte Black	33 800 861-33
	Chrome	33 800 861-00
	Brushed Platinum	33 800 861-06
	Platinum	33 800 861-08
	Durabrass (23kt Gold)	33 800 861-09
	Dark Chrome	33 800 861-19
	Brushed Durabrass (23kt Gold)	33 800 861-28
	Brushed Champagne (22kt Gold)	33 800 861-46
	Champagne (22kt Gold)	33 800 861-47
	Brushed Chrome	33 800 861-93
	Brushed Dark Platinum	33 800 861-99

Recommended miscellaneous

Swivel limitation set - 12 820 970 90



Recommended miscellaneous

Strainer waste with control handle - Matte Black 10 712 970-33



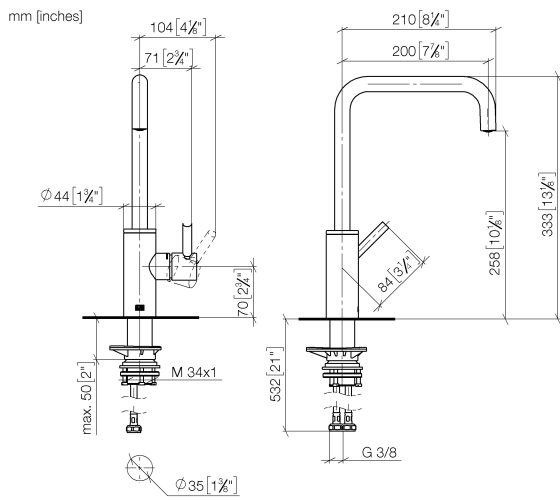
Recommended miscellaneous

Dispenser without rosette - Matte Black 82 424 970-33

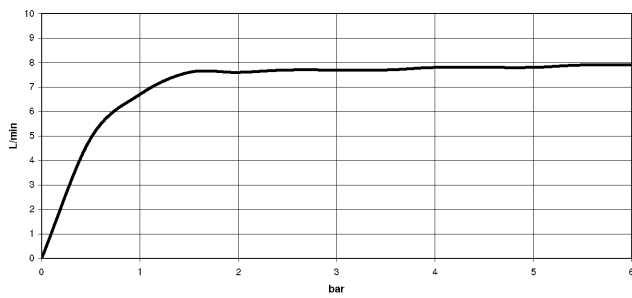


META SQUARE Single-lever mixer - Matte Black

33 800 861 Product version from 2/1/2023



Flow rate chart



Codes & Standards

DIN 4109

ISO 3822

Scottish Water
Byelaws

UK Water Supply
Regulations

Ü-Zeichen



META SQUARE Single-lever mixer - Matte Black

33 800 861 Product version from 2/1/2023

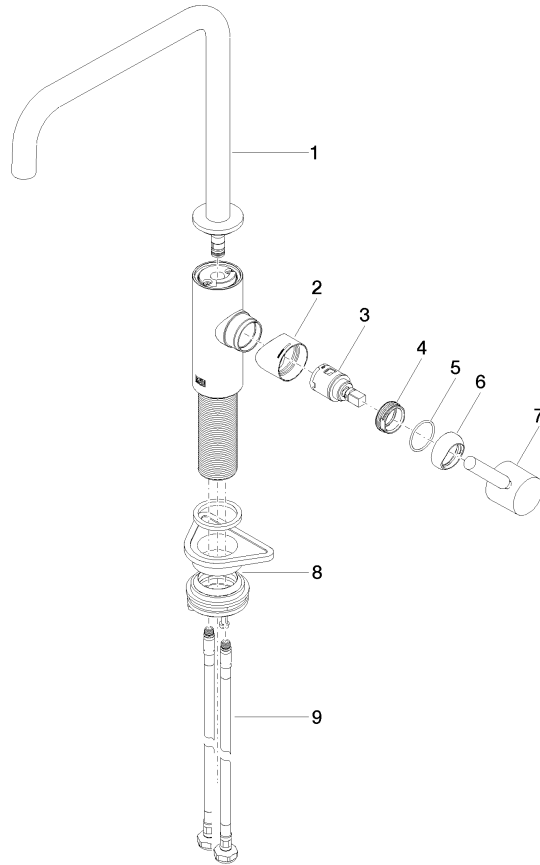
Certificates

LGA_38

WRAS_240102

META SQUARE Single-lever mixer - Matte Black

33 800 861 Product version from 2/1/2023



Spare parts list

No.	Item Number	Name	Quantity used	Delivery time
1	90 28 22 334 00-33	spout	1	30
2	09 19 86 012-33	cover	1	60
3	90 15 05 042 00 90	cartridge	1	2
4	09 24 04 266 90	nut	1	2
5	09 14 10 091 90	seal	1	2
6	90 28 30 052 00-33	cover	1	30
7	90 20 66 003 00-33	handle	1	30
8	04 23 10 044 08 90	fixing set	1	2
9	04 30 04 101 00 90	hose	2	2