

VAIA Single-lever mixer for rinsing/Profi spray - Chrome

VAIA

33 826 809



- 241mm projection
- pivotable spout 360°
- air-enriched flow
- max. flow 7 l/min at 3 bar flow pressure
- lead-free
- This product can help a building meet the requirements of Green Building Rating Systems, e.g. LEED®, BREEAM®, DGNB

Single-lever mixer for combining with rinsing/Profi spray only

| | | |
|---|--------------------------------|---------------|
|  | Chrome | 33 826 809-00 |
|  | Brushed Platinum | 33 826 809-06 |
|  | Platinum | 33 826 809-08 |
|  | Durabronze (23kt Gold) | 33 826 809-09 |
|  | Dark Chrome | 33 826 809-19 |
|  | Brushed Durabronze (23kt Gold) | 33 826 809-28 |
|  | Matte Black | 33 826 809-33 |
|  | Brushed Champagne (22kt Gold) | 33 826 809-46 |
|  | Champagne (22kt Gold) | 33 826 809-47 |
|  | Brushed Chrome | 33 826 809-93 |
|  | Brushed Dark Platinum | 33 826 809-99 |

Recommended miscellaneous

VAIA Dispenser with rosette - Chrome 82 434 809-00



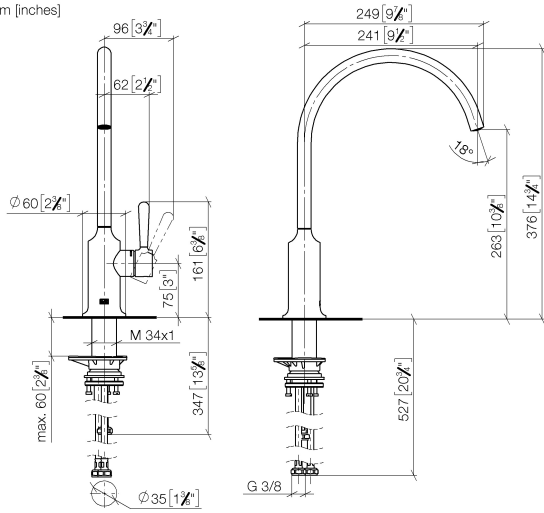
Recommended miscellaneous

VAIA Rinsing spray set - Chrome 27 718 809-00

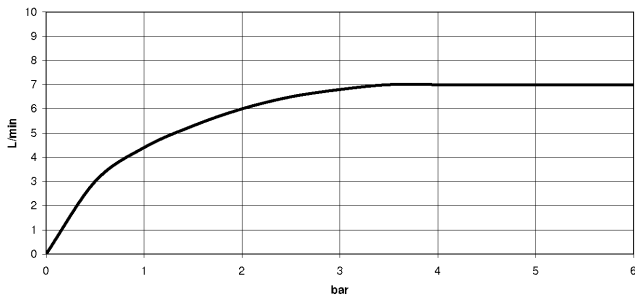


33 826 809

mm [inches]



Flow rate chart



Codes & Standards

DIN 4109

ISO 3822

Scottish Water
Byelaws

UK Water Supply
Regulations

Ü-Zeichen



VAIA Single-lever mixer for rinsing/Profi spray - Chrome

VAIA

33 826 809

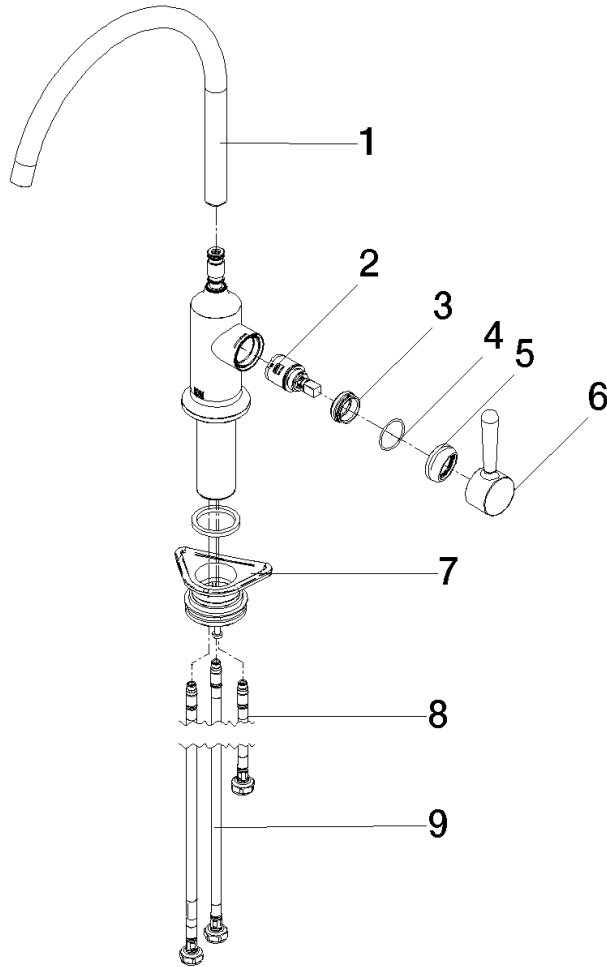
Certificates

LGA_38

WRAS_240602

33 826 809

Product version from 7/1/2023





VAIA Single-lever mixer for rinsing/Profi spray - Chrome

VAIA

33 826 809

Spare parts list

Product version from 7/1/2023

| No. | Item Number | Name | Quantity used | Delivery time |
|-----|--------------------|-------|---------------|---------------|
| | 90 28 22 396 00-00 | spout | 11 | 10 |