

## TARA Single-lever mixer for rinsing/Profi spray - Chrome

---

33 826 888 Product version from 9/1/2021

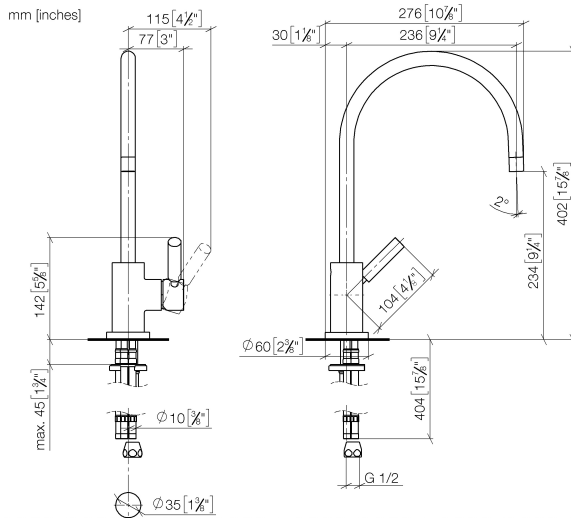


- 235mm projection
- pivotable spout 360°
- air-enriched flow
- height of mixer 400 mm
- height up to aerator 230 mm
- single-lever mixer hole diameter 35mm
- max. flow 7 l/min at 3 bar flow pressure
- lead-free
- WRAS
- This product can help a building meet the requirements of Green Building Rating Systems, e.g. LEED®, BREEAM®, DGNB

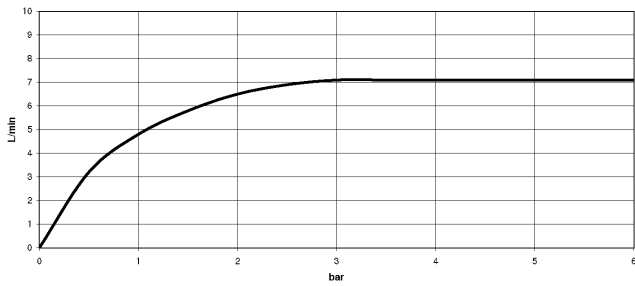
Single-lever mixer for combining with rinsing/Profi spray only

**TARA Single-lever mixer for rinsing/Profi spray - Chrome**

33 826 888 Product version from 9/1/2021



**Flow rate chart**



**Codes & Standards**

DIN 4109

ISO 3822

Scottish Water  
Byelaws

UK Water Supply  
Regulations

**Ü-Zeichen**



## TARA Single-lever mixer for rinsing/Profi spray - Chrome

---

33 826 888 Product version from 9/1/2021

### Certificates

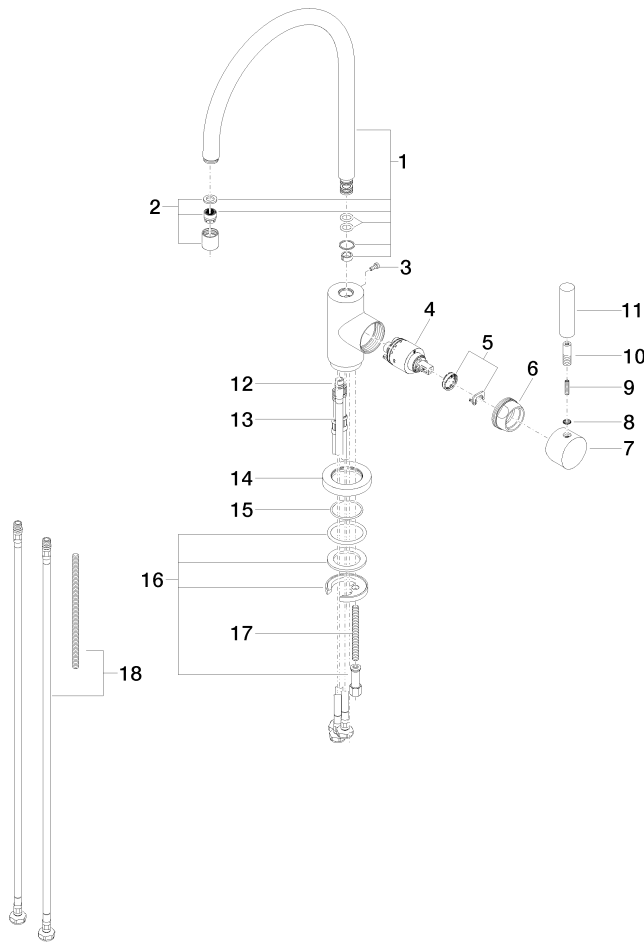
---

LGA\_18

WRAS\_2311

**TARA Single-lever mixer for rinsing/Profi spray - Chrome**

33 826 888 Product version from 9/1/2021



**Spare parts list**

No.	Item Number	Name	Quantity used	Delivery time
1	90 28 22 049 02-00	spout	1	10
2	90 23 01 028 03-00	aerator	1	10
3	09 30 30 054 90	screw	1	2
4	90 15 05 065 00 90	cartridge	1	2
5	90 28 10 148 00 90	accessories	1	2
6	09 24 04 107-00	nut	1	10
7	90 20 88 040 00-00	handle	1	10
8	90 30 11 032 00 90	disc	1	2
9	09 31 11 010 90	pin	1	2
10	90 24 04 048 00-00	nipple	1	10
11	11 170 880-00	handle	1	10
12	04 30 04 019 00 90	hose	1	2
13	04 30 04 104 00 90	hose	2	2
14	09 28 10 055-00	rosette	1	10
15	09 14 10 034 90	seal	1	2
16	04 30 11 038 00 90	fixing set	1	2
17	09 31 11 011 90	pin	1	2
18	12 803 970 90	extension	1	60