

ENO Single-lever mixer Pull-out - Platinum

33 845 760



- 220mm projection
- pivotable spout 130°
- air-enriched flow
- height of mixer 288 mm
- height up to aerator 187 mm
- hole diameter 35 mm
- 1600mm metal shower hose
- max. flow 10 l/min at 3 bar flow pressure
- lead-free
- This product can help a building meet the requirements of Green Building Rating Systems, e.g. LEED®, BREEAM®, DGNB

Intrinsic protection against back flow.

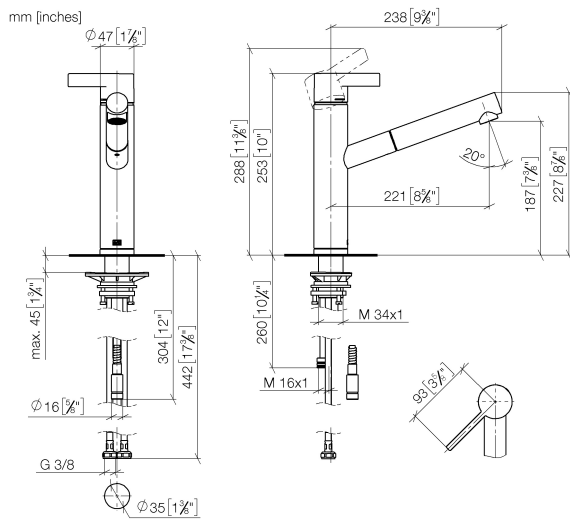
Recommended miscellaneous

**Strainer waste with control handle 10 712 970-08
- Platinum**

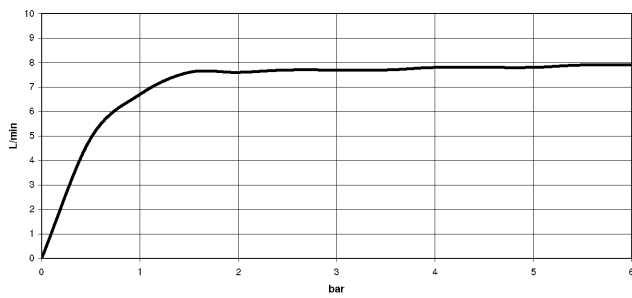


ENO Single-lever mixer Pull-out - Platinum

33 845 760



Flow rate chart



Codes & Standards

DIN 4109

EN 1717

Executive Order
no. 1007

ISO 3822

Ü-Zeichen



ENO Single-lever mixer Pull-out - Platinum

33 845 760

Certificates

LGA_28

Belgaqua_21-027-2 GDV_0400

ENO Single-lever mixer Pull-out - Platinum

33 845 760

