

33 870 760



- 225mm projection
- pivotable spout 130°
- air-enriched flow and spray flow
- height of mixer 167 mm
- height up to aerator 137 mm
- hole diameter 35 mm
- fabric braided hose 1500 mm
- max. flow 8.3 l/min at 3 bar flow pressure
- lead-free
- This product can help a building meet the requirements of Green Building Rating Systems, e.g. LEED®, BREEAM®, DGNB

Intrinsic protection against back flow.

| | | |
|---|--------------------------------|---------------|
|  | Brushed Chrome | 33 870 760-93 |
|  | Chrome | 33 870 760-00 |
|  | Brushed Platinum | 33 870 760-06 |
|  | Platinum | 33 870 760-08 |
|  | Dark Chrome | 33 870 760-19 |
|  | Brushed Durabronze (23kt Gold) | 33 870 760-28 |
|  | Brushed Champagne (22kt Gold) | 33 870 760-46 |
|  | Champagne (22kt Gold) | 33 870 760-47 |
|  | Brushed Dark Platinum | 33 870 760-99 |

Recommended miscellaneous

Dispenser without rosette - Brushed Chrome 82 424 970-93

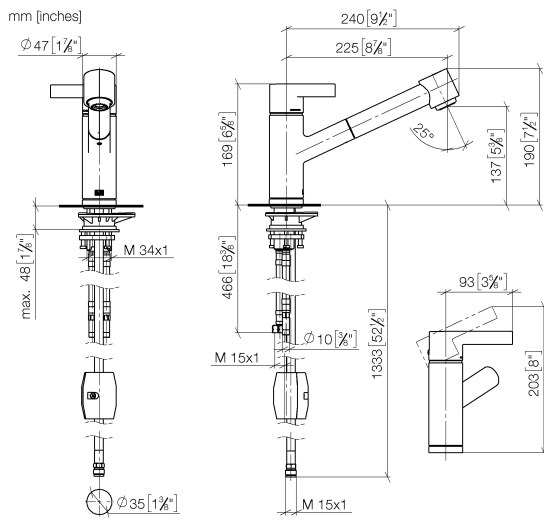


Recommended miscellaneous

Strainer waste with control handle - Brushed Chrome 10 712 970-93



33 870 760



Flow rate chart



Certificates

LGA_19873.

GDV_0400277.

Belgaqua_22_277_2
7_3.

33 870 760

Parts for other finishes can be found here: [Chrome](#)

