

33 870 875



- 240mm projection
- pivotable spout 360°
- Optional swivel limiter available with swivel limiter set 12 823 970 90
- laminar and spray flow
- height of mixer 500 mm
- height up to laminar flow regulator 240 mm
- hole diameter 35 mm
- 1800 mm metal shower hose
- sprayface with anti-scaling system
- max. flow 10.4 l/min at 3 bar flow pressure
- lead-free
- This product can help a building meet the requirements of Green Building Rating Systems, e.g. LEED®, BREEAM®, DGNB

Intrinsic protection against back flow.

	Dark Chrome	33 870 875-19
	Chrome	33 870 875-00
	Brushed Platinum	33 870 875-06
	Platinum	33 870 875-08
	Durabrass (23kt Gold)	33 870 875-09
	Brushed Durabrass (23kt Gold)	33 870 875-28
	Matte Black	33 870 875-33
	Brushed Champagne (22kt Gold)	33 870 875-46
	Champagne (22kt Gold)	33 870 875-47
	Brushed Chrome	33 870 875-93
	Brushed Dark Platinum	33 870 875-99

**Recommended miscellaneous**

**Swivel limitation set -**

12 823 970 90



**Recommended miscellaneous**

**Dispenser without rosette - Dark Chrome**

82 424 970-19



**Recommended miscellaneous**

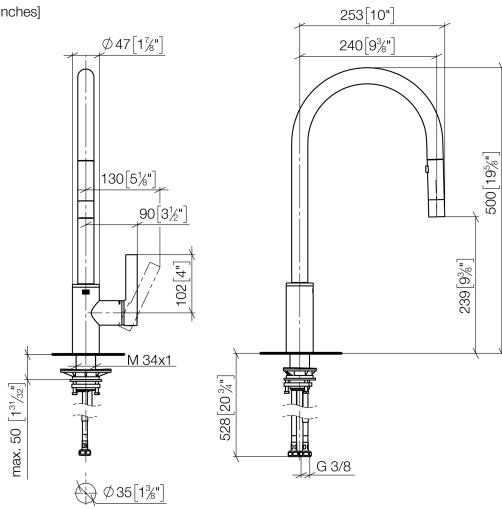
**Strainer waste with control handle - Dark Chrome**

10 712 970-19

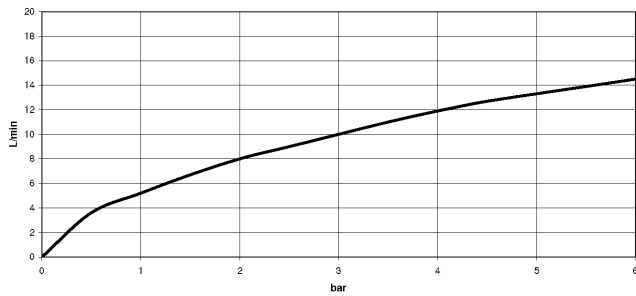


33 870 875

mm [inches]



### Flow rate chart



### Certificates

LGA\_28657.

GDV\_0400314.

