

33 875 760



- 225mm projection
- pivotable spout 130°
- air-enriched flow and spray flow
- height of mixer 254 mm
- height up to aerator 179 mm
- hole diameter 35 mm
- 1600mm metal shower hose
- max. flow 9.6 l/min at 3 bar flow pressure
- lead-free
- This product can help a building meet the requirements of Green Building Rating Systems, e.g. LEED®, BREEAM®, DGNB

Intrinsic protection against back flow.

**Recommended miscellaneous**

**Strainer waste with control handle - Chrome** 10 712 970-00

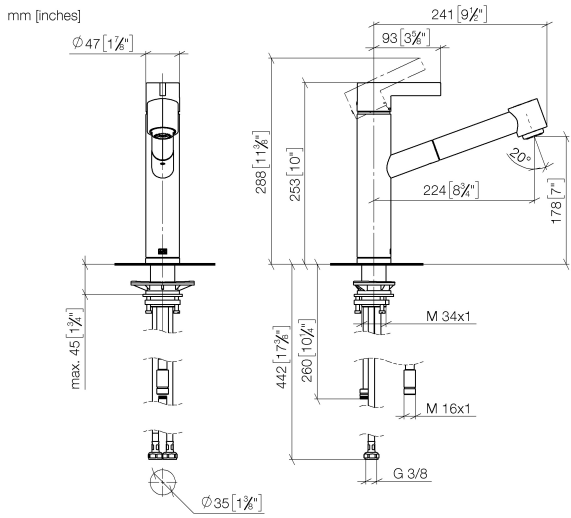


**Recommended miscellaneous**

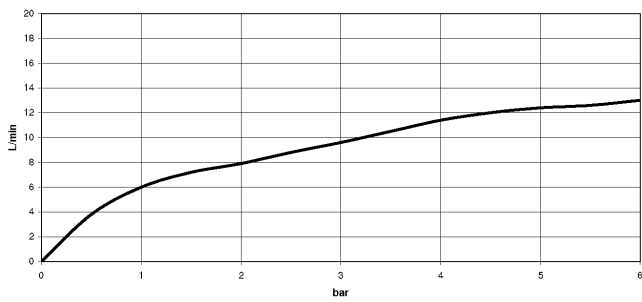
**Dispenser without rosette - Chrome** 82 424 970-00



33 875 760



**Flow rate chart**



**Codes & Standards**

DIN 4109

EN 1717

Executive Order  
no. 1007

ISO 3822

**Ü-Zeichen**



## ENO Single-lever mixer Pull-out with spray function - Chrome

---

ENO

33 875 760

### Certificates

---

GDV\_0400

LGA\_28

Belgaqua\_21-027-2

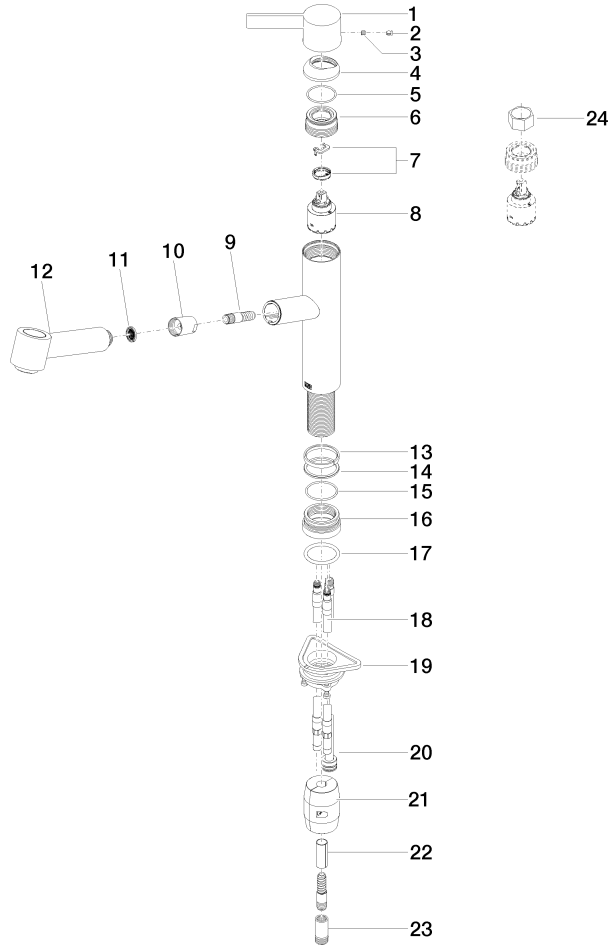
33 875 760

Product version from 2/26/2015 to 3/5/2020

Product version from 3/5/2020 to 1/7/2021

Product version from 1/7/2021 to 5/7/2021

**Product version from 5/7/2021**





## ENO Single-lever mixer Pull-out with spray function - Chrome

ENO

33 875 760

### Spare parts list

Product version from 2/26/2015 to 3/5/2020

Product version from 3/5/2020 to 1/7/2021

Product version from 1/7/2021 to 5/7/2021

### **Product version from 5/7/2021**

No.	Item Number	Name	Quantity used	Delivery time
	09 20 76 001-00	handle	25	10