

33 875 760



- 225mm projection
- pivotable spout 130°
- air-enriched flow and spray flow
- height of mixer 254 mm
- height up to aerator 179 mm
- hole diameter 35 mm
- 1600mm metal shower hose
- max. flow 9.6 l/min at 3 bar flow pressure
- lead-free
- This product can help a building meet the requirements of Green Building Rating Systems, e.g. LEED®, BREEAM®, DGNB

Intrinsic protection against back flow.

|   |                                |               |
|---|--------------------------------|---------------|
|  | Platinum                       | 33 875 760-08 |
|  | Chrome                         | 33 875 760-00 |
|  | Brushed Platinum               | 33 875 760-06 |
|  | Dark Chrome                    | 33 875 760-19 |
|  | Brushed Durabronze (23kt Gold) | 33 875 760-28 |
|  | Brushed Champagne (22kt Gold)  | 33 875 760-46 |
|  | Champagne (22kt Gold)          | 33 875 760-47 |
|  | Brushed Chrome                 | 33 875 760-93 |
|  | Brushed Dark Platinum          | 33 875 760-99 |

**Recommended miscellaneous**

**Strainer waste with control handle - Platinum** 10 712 970-08

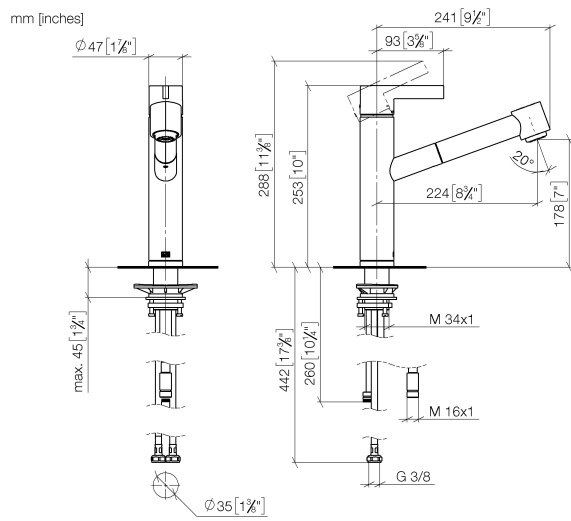


**Recommended miscellaneous**

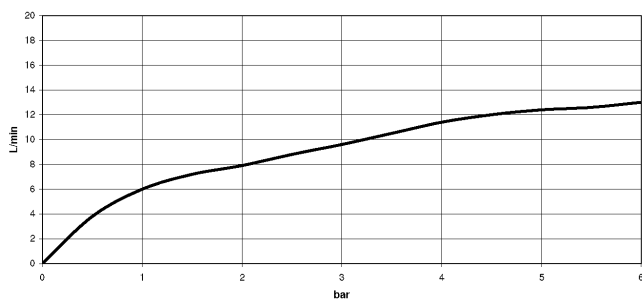
**Dispenser without rosette - Platinum** 82 424 970-08



33 875 760



**Flow rate chart**



**Certificates**

Belgaqua\_21-027- LGA\_28656. GDV\_0400277.  
27\_3.

33 875 760

Parts for other finishes can be found here: [Chrome](#)



33 875 760

Spare parts list

| No. | Item Number        | Name        | Quantity used | Delivery time |
|-----|--------------------|-------------|---------------|---------------|
| 1   | 09 20 76 001-08    | handle      | 1             | 40            |
| 2   | 90 31 20 109 00 90 | plug        | 1             | 2             |
| 3   | 90 31 11 030 00 90 | pin         | 1             | 2             |
| 4   | 09 28 30 012-08    | cover       | 1             | 40            |
| 5   | 09 14 10 102 90    | seal        | 1             | 2             |
| 6   | 09 24 04 270 90    | nut         | 1             | 2             |
| 7   | 90 28 10 148 00 90 | accessories | 1             | 2             |
| 8   | 90 15 05 064 00 90 | cartridge   | 1             | 2             |
| 9   | 04 30 02 121 00-85 | hose        | 1             | 30            |
| 10  | 90 24 03 255 00-08 | sleeve      | 1             | 40            |
| 11  | 09 23 01 039 90    | sieve       | 1             | 2             |
| 12  | 90 12 11 098 00-08 | shower      | 1             | 40            |
| 13  | 09 14 15 029 90    | ring        | 1             | 2             |
| 14  | 09 28 10 144 90    | ring        | 1             | 2             |
| 15  | 09 14 10 034 90    | seal        | 1             | 2             |
| 16  | 09 27 76 001-08    | rosette     | 1             | 40            |
| 17  | 09 14 10 036 90    | seal        | 1             | 2             |
| 18  | 04 30 04 098 00 90 | hose        | 2             | 60            |
| 19  | 04 30 11 040 00 90 | fixing set  | 1             | 2             |
| 20  | 04 28 20 067 00 90 | pipe        | 1             | 2             |
| 21  | 04 21 50 010 00 90 | accessories | 1             | 2             |
| 22  | 09 30 03 038 90    | hose        | 1             | 2             |
| 23  | 90 24 03 253 00 90 | adaptor     | 1             | 2             |
| 24  | 90 30 09 031 00 90 | key         | 1             | 2             |