

SYNC Single-lever mixer Pull-down with spray function - Brushed Champagne (22kt Gold)

SYNC

33 875 895



- 240mm projection
- pivotable spout 360°
- Optional swivel limiter available with swivel limiter set 12 821 970 90
- laminar and spray flow
- height of mixer 420 mm
- height up to laminar flow regulator 240 mm
- hole diameter 35 mm
- 1800 mm metal shower hose
- sprayface with anti-scaling system
- max. flow 10.4 l/min at 3 bar flow pressure
- lead-free
- This product can help a building meet the requirements of Green Building Rating Systems, e.g. LEED®, BREEAM®, DGNB


Intrinsic protection against back flow.

	Brushed Champagne (22kt Gold)	33 875 895-46
	Chrome	33 875 895-00
	Brushed Platinum	33 875 895-06
	Platinum	33 875 895-08
	Durabross (23kt Gold)	33 875 895-09
	Dark Chrome	33 875 895-19
	Brushed Durabross (23kt Gold)	33 875 895-28
	Matte Black	33 875 895-33
	Champagne (22kt Gold)	33 875 895-47
	Brushed Chrome	33 875 895-93
	Brushed Dark Platinum	33 875 895-99


Recommended miscellaneous

	Swivel limitation set -	12 821 970 90
---	--------------------------------	---------------

Recommended miscellaneous

	Dispenser without rosette - Brushed Champagne (22kt Gold)	82 424 970-46
---	--	---------------

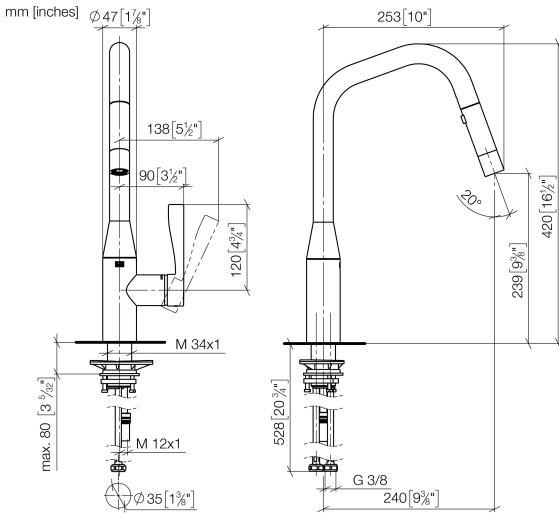
Recommended miscellaneous

	Strainer waste with control handle - Brushed Champagne (22kt Gold)	10 712 970-46
---	---	---------------

**SYNC Single-lever mixer Pull-down with spray function - Brushed Champagne
(22kt Gold)**

SYNC

33 875 895



Flow rate chart



Codes & Standards

Executive Order
no. 1007



SYNC Single-lever mixer Pull-down with spray function - Brushed Champagne
(22kt Gold)

SYNC

33 875 895

Certificates

GDV_0400

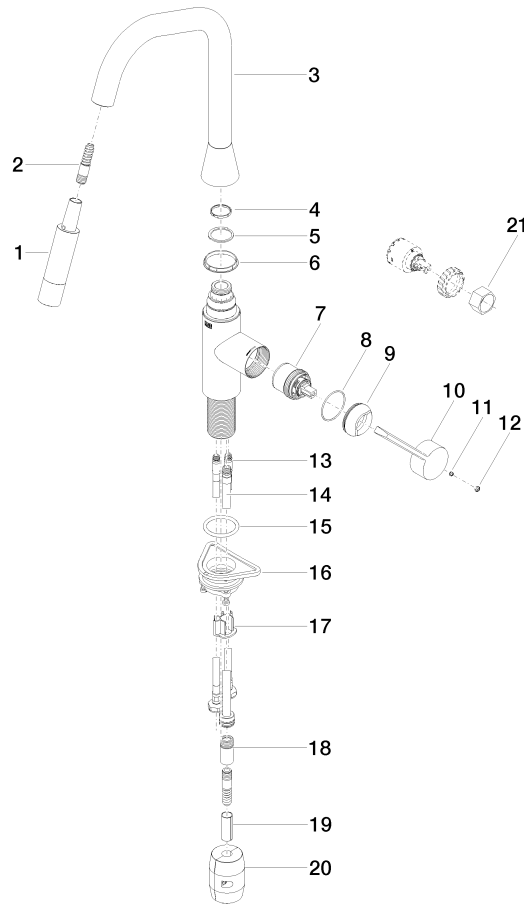


SYNC Single-lever mixer Pull-down with spray function - Brushed Champagne (22kt Gold)

SYNC

33 875 895

Product version from 7/1/2021





SYNC Single-lever mixer Pull-down with spray function - Brushed Champagne
(22kt Gold)

SYNC

33 875 895

Spare parts list

Product version from 7/1/2021