

**TARA Shower pipe with shower thermostat without hand shower 300 mm -  
Dark Chrome**

TARA

34 460 892 Product version from 4/1/2024



- shower with fixed riser projection 452mm
- overhead shower: rain flow
- rain shower Ø 300 mm
- rain shower with anti-scale system
- max. rainshower flow 14 l/min
- Function from: 10 l/min
- rotary diverter with volume control and shut-off function
- slide-on rosettes Ø 70 mm
- height of fittings up to rain shower (bottom edge) 964mm
- height of fittings up to top edge of elbow 1267mm
- gauge 150 mm - 13 mm
- metal shower hose 1750mm with integrated anti-twist protection
- 1/2" connection
- slide bar
- Pipe diameter 23.5 mm

This article does not include a hand shower!

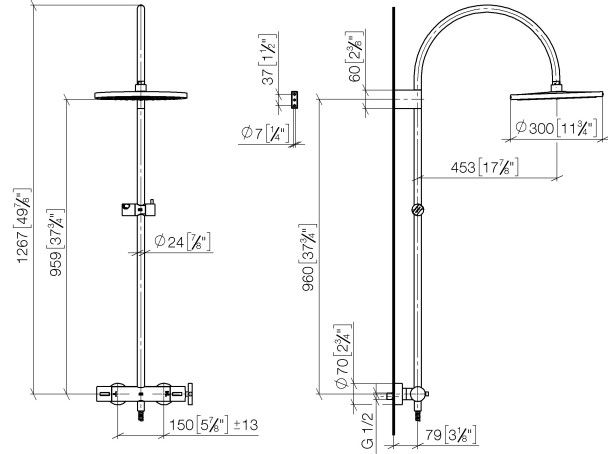
Intrinsic protection against back flow.

	Dark Chrome	34 460 892-19
	Chrome	34 460 892-00
	Brushed Platinum	34 460 892-06
	Platinum	34 460 892-08
	Brushed Durabronze (23kt Gold)	34 460 892-28
	Matte Black	34 460 892-33
	Brushed Bronze	34 460 892-42
	Brushed Champagne (22kt Gold)	34 460 892-46
	Champagne (22kt Gold)	34 460 892-47
	Brushed Chrome	34 460 892-93
	Brushed Dark Platinum	34 460 892-99

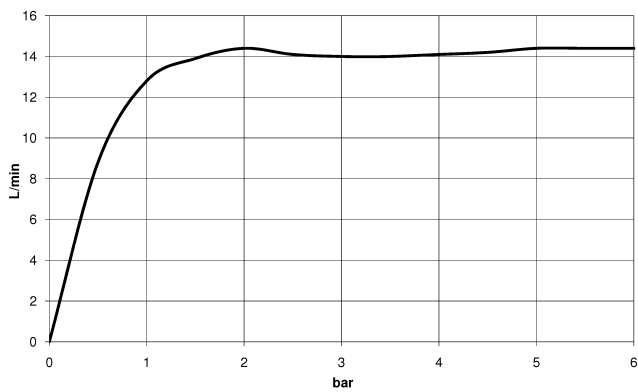
34 460 892 Product version from 4/1/2024

mm [inches]

1:10



**Flow rate chart**



**Codes & Standards**

EN 1717



TARA Shower pipe with shower thermostat without hand shower 300 mm -  
Dark Chrome

---

TARA

34 460 892 Product version from 4/1/2024

Certificates

---

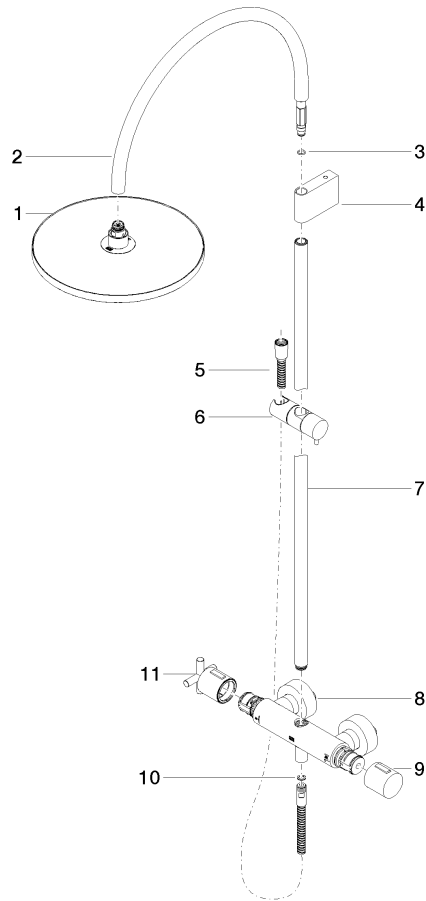
Belgaqua\_24-006-2

**TARA Shower pipe with shower thermostat without hand shower 300 mm -  
Dark Chrome**

TARA

34 460 892 Product version from 4/1/2024

Parts for other  
finishes can be found  
here: [Chrome](#)



**Spare parts list**

No.	Item Number	Name	Quantity used	Delivery time
1	04 12 05 091 00-19	shower	1	20
2	04 28 22 346 00-19	pipe	1	20
3	09 14 10 008 90	seal	1	2
4	90 17 11 150 00-19	holder	1	20
5	28 322 970-19	Metal shower hose 1/2" x 3/8" x 1750 mm - Dark Chrome	1	20
6	12 570 970-19	Slide unit - Dark Chrome	1	20
7	90 28 22 349 00-19	pipe	1	20
8	04 17 01 250 00-19	connection	1	20
9	90 17 33 015 00-19	handle	1	20
10	90 14 20 026 00 90	seal	1	2
11	90 17 33 021 00-19	handle	1	20