

## Concealed floor mounting -

---

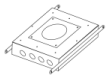
35 945 970 90



- red brass, lead-free
- 2x female thread 1/2" connections
- dust cover
- anti-water packing
- WRAS 2005008

## Required miscellaneous

---



**Drybox for floor mounting -**  
● Overflow is part of the scope of delivery.

38 945 970 90

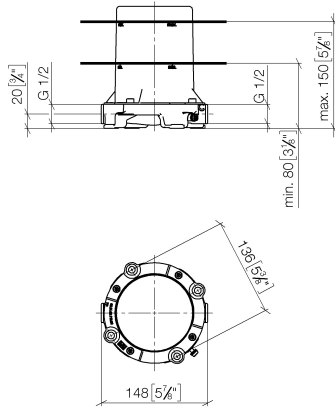


## Concealed floor mounting -

---

35 945 970 90

mm [inches]



### Codes & Standards

---

Scottish Water  
Byelaws

UK Water Supply  
Regulations

### Certificates

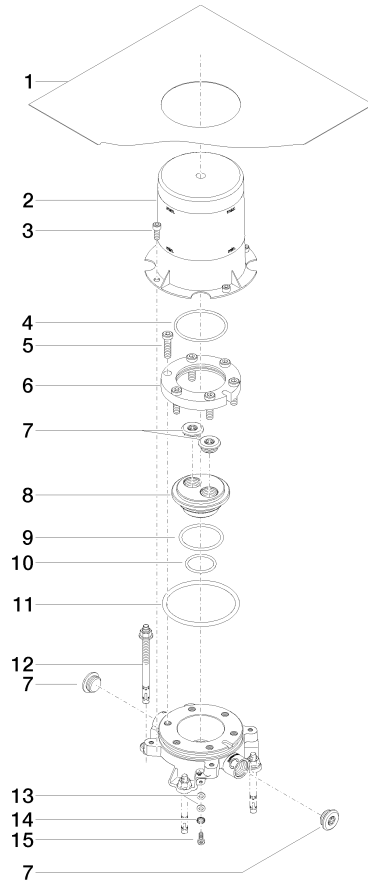
---

WRAS\_2005

### Concealed floor mounting -

---

35 945 970 90





## Concealed floor mounting -

---

35 945 970 90

### Spare parts list

No.	Item Number	Name	Quantity used	Delivery time
	04 14 03 077 00 90	gasket kit	30	2