

**Concealed single-lever mixer with integrated shower connection with shower set without hand shower - Chrome**

IMO

36 110 970



- metal shower hose 1750mm with integrated anti-twist protection
- slide bar
- Pipe diameter 18 mm

**This article does not include a hand shower!**

**Intrinsic protection against back flow.**

This article does not include a hand shower!

Intrinsic protection against back flow.

Fits: IMO, LULU, MADISON, MEM, TARA, CL.1, LISSÉ, VAIA, META, CYO

|  |                               |               |
|--|-------------------------------|---------------|
|  | Chrome                        | 36 110 970-00 |
|  | Brushed Platinum              | 36 110 970-06 |
|  | Platinum                      | 36 110 970-08 |
|  | Dark Chrome                   | 36 110 970-19 |
|  | Brushed Light Gold            | 36 110 970-27 |
|  | Brushed Durabrass (23kt Gold) | 36 110 970-28 |
|  | Matte Black                   | 36 110 970-33 |
|  | Brushed Bronze                | 36 110 970-42 |
|  | Brushed Champagne (22kt Gold) | 36 110 970-46 |
|  | Champagne (22kt Gold)         | 36 110 970-47 |
|  | Brushed Chrome                | 36 110 970-93 |
|  | Brushed Dark Platinum         | 36 110 970-99 |

**Required miscellaneous**

|  |   |               |
|--|---|---------------|
|  | <b>Concealed wall mounting -</b><br>•max. recess depth 105 mm<br>•min. recess depth 80 mm | 35 050 970 90 |
|--|---|---------------|

**Required miscellaneous**

|  |  |                    |
|--|--|--------------------|
|  | <b>Hand shower FlowReduce - Chrome</b> | 28 016 979-00 0010 |
|--|--|--------------------|

**Required miscellaneous**

|  |                             |               |
|--|-----------------------------|---------------|
|  | <b>Hand shower - Chrome</b> | 28 017 979-00 |
|--|-----------------------------|---------------|

**Required miscellaneous**

|  |                             |               |
|--|-----------------------------|---------------|
|  | <b>Hand shower - Chrome</b> | 28 018 979-00 |
|--|-----------------------------|---------------|

**Required miscellaneous**

|  |                             |               |
|--|-----------------------------|---------------|
|  | <b>Hand shower - Chrome</b> | 28 012 979-00 |
|--|-----------------------------|---------------|

**Required miscellaneous**

|  |  |                    |
|--|--|--------------------|
|  | <b>Hand shower FlowReduce - Chrome</b> | 28 012 979-00 0010 |
|--|--|--------------------|

**Required miscellaneous**

|  |                             |               |
|--|-----------------------------|---------------|
|  | <b>Hand shower - Chrome</b> | 28 016 979-00 |
|--|-----------------------------|---------------|

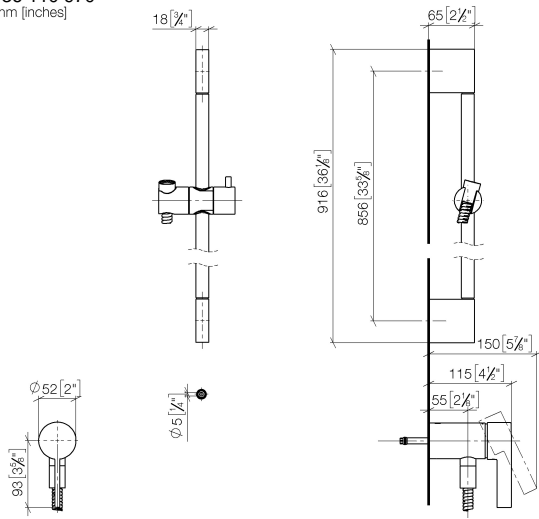
**Required miscellaneous**

|  |  |                    |
|--|--|--------------------|
|  | <b>Hand shower FlowReduce - Chrome</b> | 28 018 979-00 0010 |
|--|--|--------------------|

Concealed single-lever mixer with integrated shower connection with shower set without hand shower - Chrome

IMO

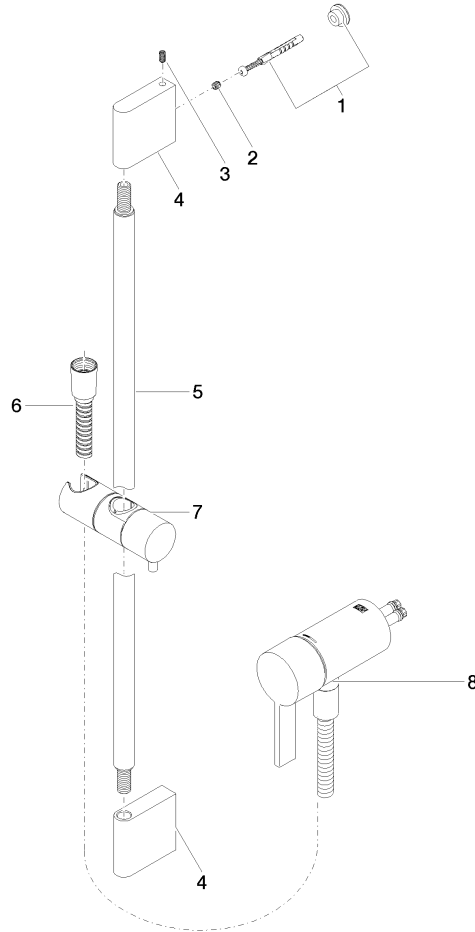
36 110 970  
mm [inches]



Certificates

Belgaqua\_21-025- WRAS\_2011027. LGA\_29928.  
27\_1.

36 110 970



Spare parts list

| No. | Item Number        | Name  | Quantity used | Delivery time |
|-----|--------------------|---|---------------|---------------|
| 1   | 05 17 20 726 02 90 | fixing set  | 1             | 2             |
| 2   | 09 31 11 049 90    | pin   | 2             | 2             |
| 3   | 04 31 11 113 00 90 | pin   | 2             | 2             |
| 4   | 08 17 97 054-00    | holder  | 2             | 10            |
| 5   | 90 28 22 597 00-00 | holder  | 1             | 10            |
| 6   | 28 322 970-00      | Metal shower hose 1/2" x 3/8" x 1750 mm - Chrome                        | 1             | 2             |
| 7   | 12 580 970-00      | Slide unit - Chrome   | 1             | 10            |
| 9   | 36 050 970-00      | Concealed single-lever mixer with integrated shower connection - Chrome | 1             | 10            |