


WATER BAR Concealed body spray - Platinum

36 527 979 Product version from 10/1/2023



- HORIZONTAL RAIN, max. flow rate 9 l/min (at 3 bar)
- with anti-scale system
- cover plate 240 x 60 mm
- 1/2" connection

| | | |
|---|-----------------------------------|---------------|
|  | Platinum | 36 527 979-08 |
|  | Chrome | 36 527 979-00 |
|  | Brushed Platinum | 36 527 979-06 |
|  | Dark Chrome | 36 527 979-19 |
|  | Light Gold | 36 527 979-26 |
|  | Brushed Light Gold | 36 527 979-27 |
|  | Brushed Durabronze (23kt Gold) | 36 527 979-28 |
|  | Matte Black | 36 527 979-33 |
|  | Brushed Bronze | 36 527 979-42 |
|  | Brushed Champagne (22kt Gold) | 36 527 979-46 |
|  | Champagne (22kt Gold) | 36 527 979-47 |
|  | Brushed Chrome | 36 527 979-93 |
|  | Brushed Dark Platinum | 36 527 979-99 |

Required miscellaneous



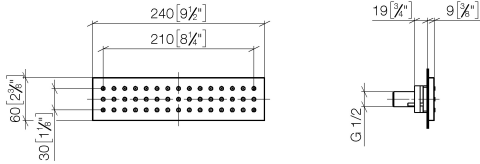
Concealed wall installation box - 35 206 970 90

- max. recess depth mm
- min. recess depth mm

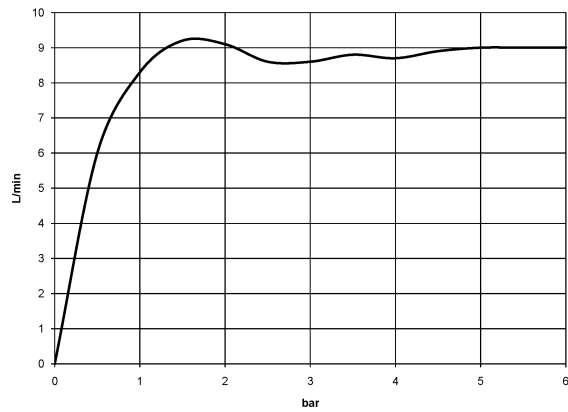
WATER BAR Concealed body spray - Platinum

36 527 979 Product version from 10/1/2023

mm [inches]



Flow rate chart



Codes & Standards

DIN 4109

ISO 3822

Ü-Zeichen



WATER BAR Concealed body spray - Platinum

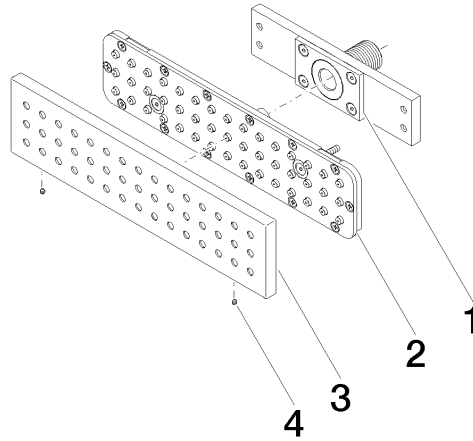
36 527 979 Product version from 10/1/2023

Certificates

LGA_38

WATER BAR Concealed body spray - Platinum

36 527 979 Product version from 10/1/2023



Spare parts list

| No. | Item Number | Name | Quantity used | Delivery time |
|-----|--------------------|------------|---------------|---------------|
| 1 | 90 11 02 137 00 90 | connection | 1 | 2 |
| 2 | 90 11 02 332 01-00 | insert | 1 | 10 |
| 3 | 09 27 99 001-08 | rosette | 1 | 40 |
| 4 | 09 31 11 006 90 | pin | 2 | 2 |