

**Wall valve clockwise closing 1/2" - Brushed Durabronze (23kt Gold)**

CL.1

36 607 740




- without rosette
- handle Ø 60mm
- without marking
- head part with cut-to-length spindle and sleeve
- WRAS 2011026, 2010066


Fits: CL.1, META, CYO

	Brushed Durabronze (23kt Gold)	36 607 740-28
	Chrome	36 607 740-00
	Brushed Platinum	36 607 740-06
	Dark Chrome	36 607 740-19
	Light Gold	36 607 740-26
	Brushed Light Gold	36 607 740-27
	Matte Black	36 607 740-33
	Brushed Bronze	36 607 740-42
	Brushed Champagne (22kt Gold)	36 607 740-46
	Champagne (22kt Gold)	36 607 740-47
	Brushed Chrome	36 607 740-93
	Brushed Dark Platinum	36 607 740-99

**Required miscellaneous**

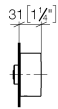
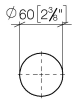
	<b>Wall valve 1/2" -</b> •max. recess depth 145 mm •min. recess depth 85 mm	35 607 970 90
---	---	---------------

**Required miscellaneous**

	<b>Wall valve 1/2" -</b> •max. recess depth 145 mm •min. recess depth 85 mm	35 607 970 90
---	---	---------------

36 607 740

mm [inches]



Codes & Standards

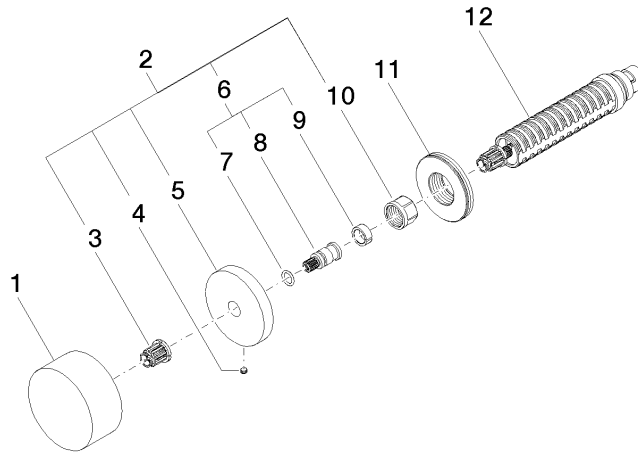
DIN 4109	EN 1111	EN 200	ISO 3822
Scottish Water Byelaws	UK Water Supply Regulations	Ü-Zeichen	

Certificates

DVGW_DW-6501DN0	WRAS_2010	LGA_38	LGA_29	LGA_29
DVGW_DW-6512DN0	WRAS_2011			

36 607 740

Product version from 7/1/2023





Wall valve clockwise closing 1/2" - Brushed Durabron (23kt Gold)

CL.1

36 607 740

**Spare parts list**

**Product version from 7/1/2023**

No.	Item Number	Name	Quantity used	Delivery time
	09 20 74 004-28	handle	12	20