

Wall valve clockwise closing 1/2" - Brushed Bronze

CL.1

36 607 740



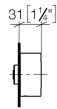
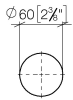
- without rosette
- handle Ø 60mm
- without marking
- head part with cut-to-length spindle and sleeve
- WRAS 2011026, 2010066

Fits: CL.1, META, CYO

	Brushed Bronze	36 607 740-42
	Chrome	36 607 740-00
	Brushed Platinum	36 607 740-06
	Dark Chrome	36 607 740-19
	Light Gold	36 607 740-26
	Brushed Light Gold	36 607 740-27
	Brushed Durabronze (23kt Gold)	36 607 740-28
	Matte Black	36 607 740-33
	Brushed Champagne (22kt Gold)	36 607 740-46
	Champagne (22kt Gold)	36 607 740-47
	Brushed Chrome	36 607 740-93
	Brushed Dark Platinum	36 607 740-99

36 607 740

mm [inches]



Codes & Standards

DIN 4109	EN 1111	ISO 3822	Scottish Water Byelaws
UK Water Supply Regulations	Ü-Zeichen		

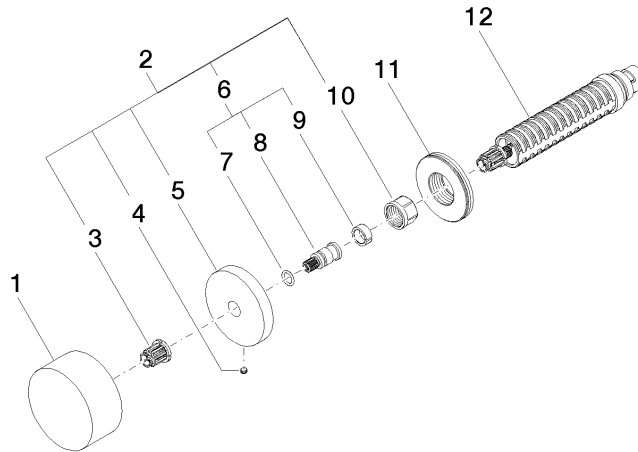
Certificates

WRAS_2010	LGA_38	LGA_29	DVGW_DW- 6512DN0	WRAS_2011
-----------	--------	--------	---------------------	-----------

36 607 740

**Product version from 7/1/2023**

Parts for other  
finishes can be found  
here: [Chrome](#)





Wall valve clockwise closing 1/2" - Brushed Bronze

CL.1

36 607 740

**Spare parts list**

**Product version from 7/1/2023**

No.	Item Number	Name	Quantity used	Delivery time
	09 20 74 004-42	handle	12	30