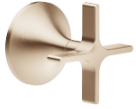



36 607 809



- rosette Ø 60 mm
- head part with cut-to-length spindle and sleeve
- WRAS

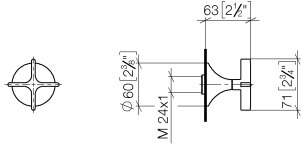
	Brushed Champagne (22kt Gold)	36 607 809-46
	Chrome	36 607 809-00
	Brushed Platinum	36 607 809-08
	Platinum	36 607 809-08
	Dark Chrome	36 607 809-19
	Brushed Durabronze (23kt Gold)	36 607 809-28
	Brushed Bronze	36 607 809-42
	Champagne (22kt Gold)	36 607 809-47
	Brushed Dark Platinum	36 607 809-99

Required miscellaneous

	<p>Wall valve 1/2" - 35 607 970 90</p> <ul style="list-style-type: none"> • max. recess depth mm • min. recess depth mm
---	--

36 607 809

mm [inches]



Codes & Standards

DIN 4109

EN 1111

EN 200

ISO 3822

Scottish Water
Byelaws

UK Water Supply
Regulations

Ü-Zeichen

Certificates

DVGW_DW-
6501DN0

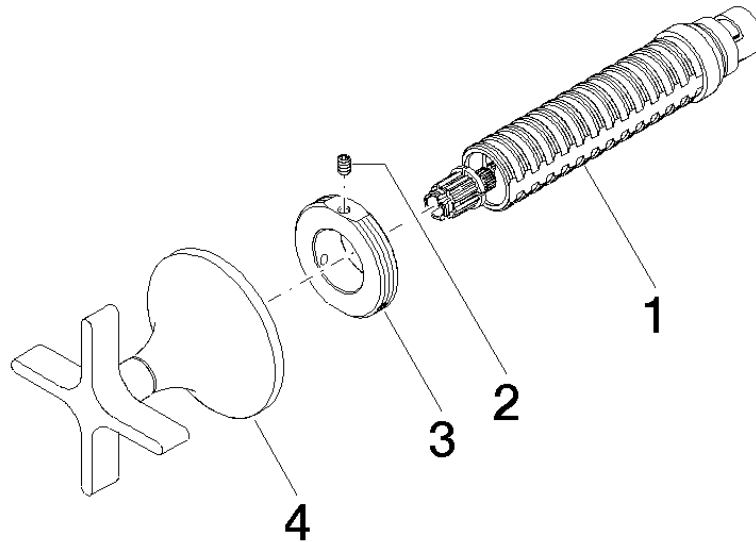
WRAS_2011

LGA_29

WRAS_2010

DVGW_DW-
6512DN0

36 607 809



Spare parts list

No.	Item Number	Name	Quantity used	Delivery time
1	90 90 03 143 00 90	top	1	2
2	09 31 11 008 90	pin	1	2
3	09 21 02 163 90	disc	1	2
4	90 20 80 014 00-46	handle	1	30