


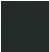



EDITION PRO Tumbler holder wall model - Chrome

83 400 626



- crystal glass brush holder, matte
- width 60mm
- height 120 mm
- 110mm projection

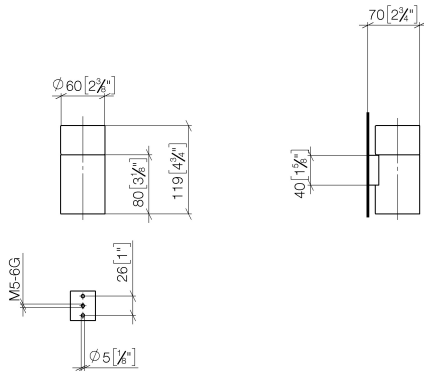
	Chrome	83 400 626-00
	Matte Black	83 400 626-33
	Brushed Chrome	83 400 626-93



EDITION PRO Tumbler holder wall model - Chrome

83 400 626

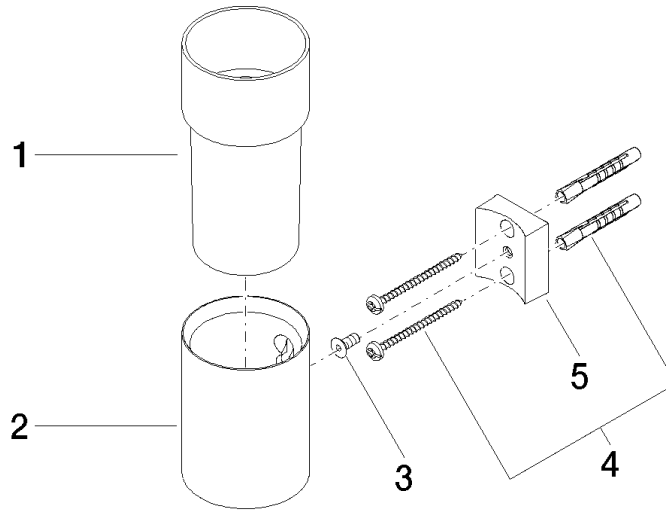
mm [inches]



EDITION PRO Tumbler holder wall model - Chrome

83 400 626

Parts for other
finishes can be found
here: [Matte Black](#)





EDITION PRO Tumbler holder wall model - Chrome

83 400 626

Spare parts list

No.	Item Number	Name	Quantity used	Delivery time
	08 90 00 008 82	Crystal tumbler -	5	2