

Bath cascade spout for wall mounting - Brushed Platinum

MEM

13 430 740



- 200mm projection
- cascade
- plate 180 mm x 60 mm
- hole diameter 40 mm
- 1/2" connection
- plug-link mounting
- max. flow 26.5 l/min at 3 bar flow pressure
- WRAS 240502013, 1809017

	Brushed Platinum	13 430 740-06
	Chrome	13 430 740-00
	Platinum	13 430 740-08
	Dark Chrome	13 430 740-19
	Brushed Durabronze (23kt Gold)	13 430 740-28
	Matte Black	13 430 740-33
	Brushed Champagne (22kt Gold)	13 430 740-46
	Champagne (22kt Gold)	13 430 740-47
	Brushed Dark Platinum	13 430 740-99

Recommended miscellaneous



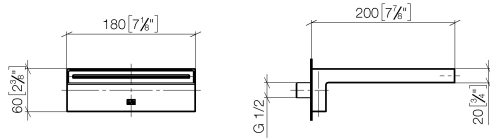
Concealed wall elbow -

35 085 970 90

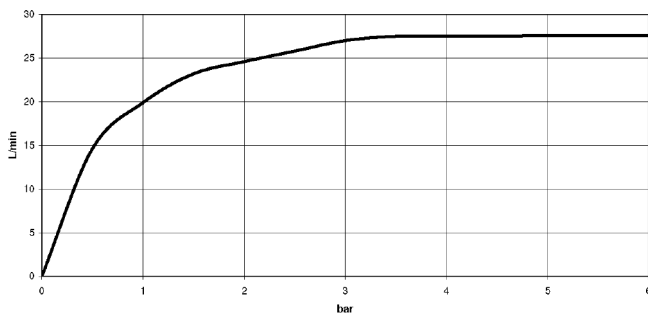
- max. recess depth 163 mm
- min. recess depth 90 mm

13 430 740

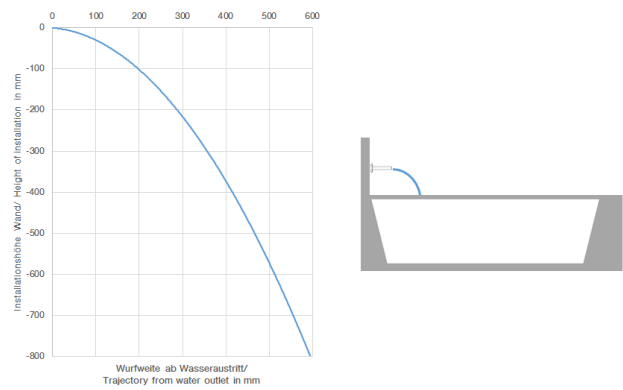
mm [inches]



Flow rate chart



Trajectory diagram



Codes & Standards

ASME A112.18.1

cUPC

DIN 4109

ISO 3822

Scottish Water
Byelaws

UK Water Supply
Regulations

Ü-Zeichen



Bath cascade spout for wall mounting - Brushed Platinum

MEM

13 430 740

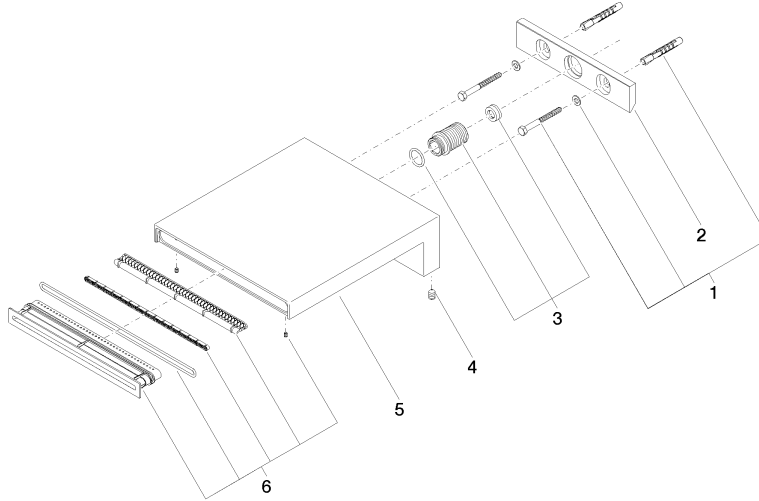
Certificates

LGA_19

IAPMO_4976

WRAS_240502

13 430 740





Bath cascade spout for wall mounting - Brushed Platinum

MEM

13 430 740

Spare parts list

No.	Item Number	Name	Quantity used	Delivery time
	04 30 31 014 00 90	fixing set	7	2