

VAIA Two-hole bridge mixer for rinsing/Profi spray - Matte Black

VAIA

19 815 809



- 241mm projection
- pivotable spout 360°
- air-enriched flow
- max. flow 7 l/min at 3 bar flow pressure
- lead-free
- This product can help a building meet the requirements of Green Building Rating Systems, e.g. LEED®, BREEAM®, DGNB

| | | |
|--|-------------------------------|---------------|
|  | Matte Black | 19 815 809-33 |
|  | Chrome | 19 815 809-00 |
|  | Brushed Platinum | 19 815 809-06 |
|  | Platinum | 19 815 809-08 |
|  | Durabress (23kt Gold) | 19 815 809-09 |
|  | Dark Chrome | 19 815 809-19 |
|  | Brushed Durabress (23kt Gold) | 19 815 809-28 |
|  | Brushed Champagne (22kt Gold) | 19 815 809-46 |
|  | Champagne (22kt Gold) | 19 815 809-47 |
|  | Brushed Chrome | 19 815 809-93 |
|  | Brushed Dark Platinum | 19 815 809-99 |

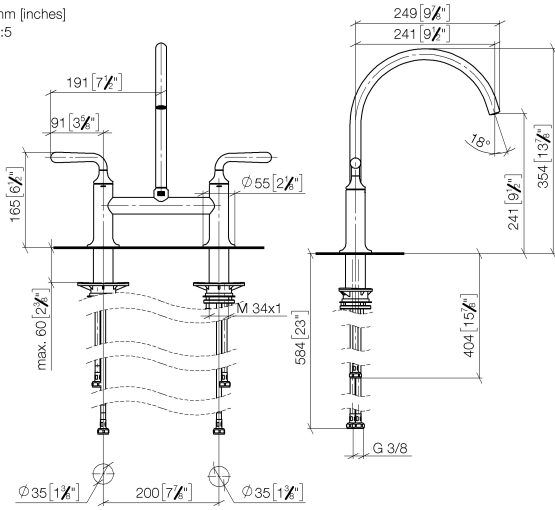
Recommended miscellaneous

VAIA Dispenser with rosette - Matte Black 82 434 809-33



19 815 809

mm [inches]
1:5



Flow rate chart



Codes & Standards

DIN 4109

ISO 3822

Ü-Zeichen



VAIA Two-hole bridge mixer for rinsing/Profi spray - Matte Black

VAIA

19 815 809

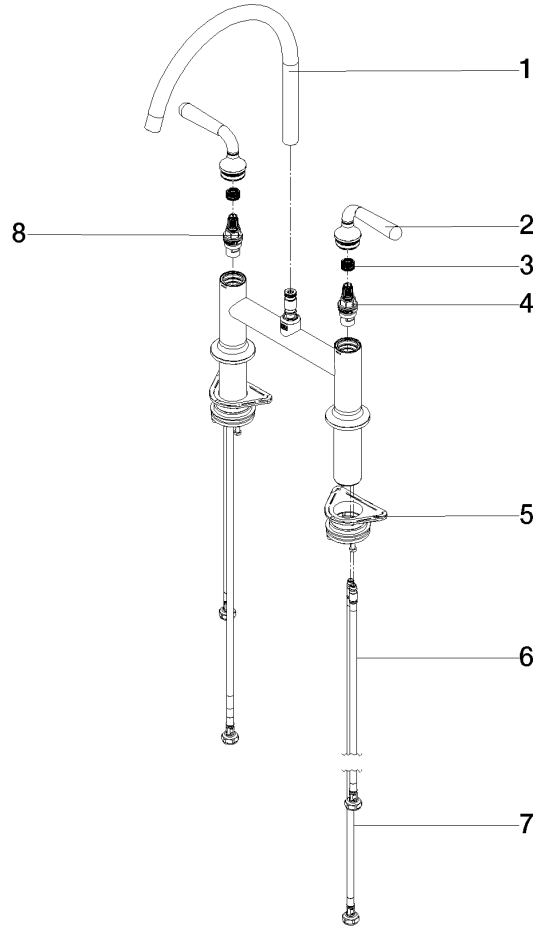
Certificates

LGA_38

19 815 809

Product version from 7/1/2023

Parts for other
finishes can be found
here: [Chrome](#)





VAIA Two-hole bridge mixer for rinsing/Profi spray - Matte Black

VAIA

19 815 809

Spare parts list

Product version from 7/1/2023

| No. | Item Number | Name | Quantity used | Delivery time |
|-----|--------------------|-------|---------------|---------------|
| | 90 28 22 396 00-33 | spout | 13 | 60 |