

Deck valve anti-clockwise closing hot - Brushed Platinum

CL.1

20 000 741



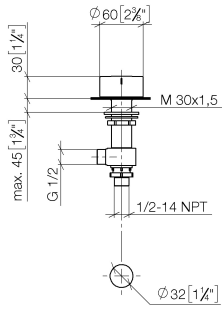
- hole diameter 32 mm
- handle Ø 60mm
- without rosette
- with hot marking
- WRAS 2103001

Fits: CL.1, CYO

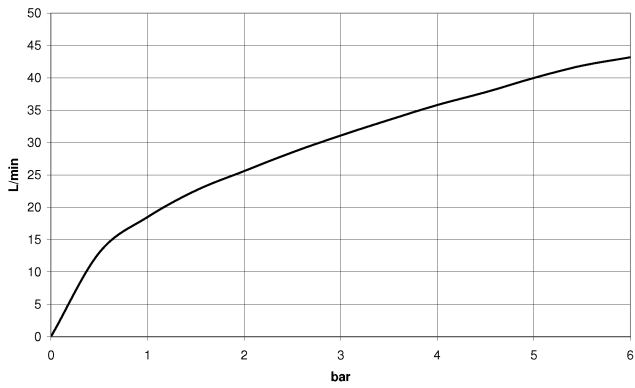
	Brushed Platinum	20 000 741-06
	Chrome	20 000 741-00
	Dark Chrome	20 000 741-19
	Brushed Durabronze (23kt Gold)	20 000 741-28
	Matte Black	20 000 741-33
	Brushed Champagne (22kt Gold)	20 000 741-46
	Champagne (22kt Gold)	20 000 741-47
	Brushed Dark Platinum	20 000 741-99

20 000 741

mm [inches]



Flow rate chart



Codes & Standards

DIN 4109

ISO 3822

Scottish Water
Byelaws

UK Water Supply
Regulations

Ü-Zeichen



Deck valve anti-clockwise closing hot - Brushed Platinum

CL.1

20 000 741

Certificates

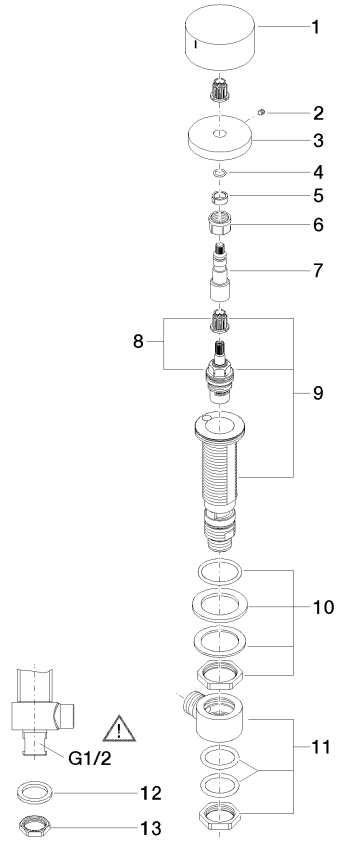
WRAS_2103

LGA_28

20 000 741

Product version from 4/1/2023

Parts for other finishes can be found here: Chrome





Deck valve anti-clockwise closing hot - Brushed Platinum

CL.1

20 000 741

Spare parts list

Product version from 4/1/2023

No.	Item Number	Name	Quantity used	Delivery time
	09 20 74 006-06	handle (hot)	13	10