

20 713 782

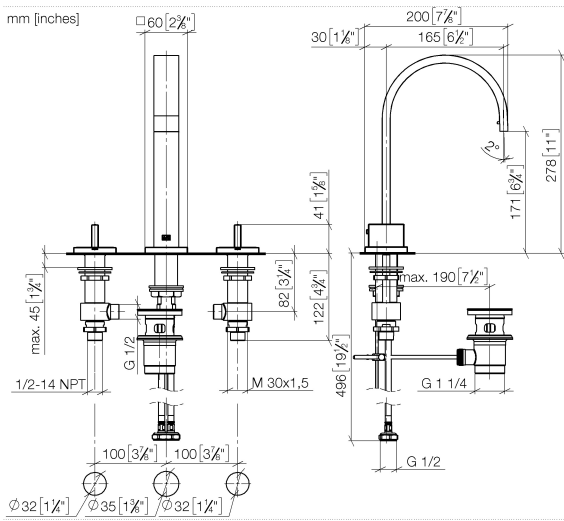


- 165mm projection
- fixed spout
- rectangular, air-enriched flow
- height of mixer 277 mm
- height up to aerator 170 mm
- hole diameter spout 35 mm
- hole diameter valve 32 mm
- rosette 60 x 60 mm
- 2x screw-in M 10 x 1 pressure hose, leak-tested
- max. flow 8.3 l/min
- lead-free
- This product can help a building meet the requirements of Green Building Rating Systems, e.g. LEED®, BREEAM®, DGNB
- WRAS 2306057

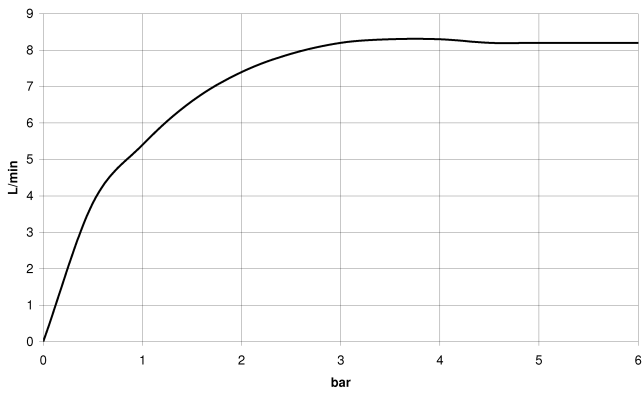
Only suitable for basins with an overflow.

	Dark Chrome	20 713 782-19
	Chrome	20 713 782-00
	Brushed Platinum	20 713 782-06
	Platinum	20 713 782-08
	Brushed Durabronze (23kt Gold)	20 713 782-28
	Brushed Champagne (22kt Gold)	20 713 782-46
	Champagne (22kt Gold)	20 713 782-47
	Brushed Dark Platinum	20 713 782-99

20 713 782



**Flow rate chart**

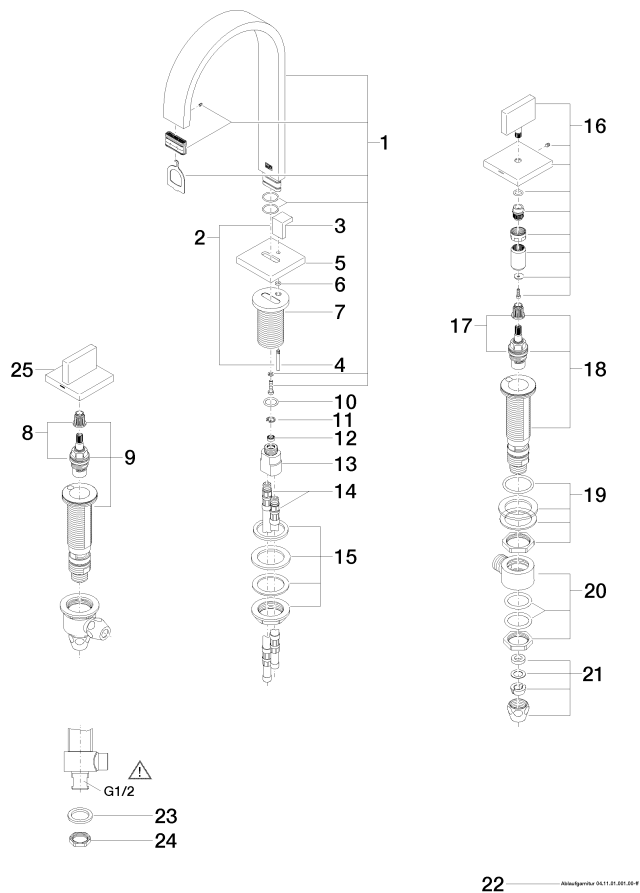


**Certificates**

WRAS\_2306057.    LGA\_18594.    ETA\_18154.    GDV\_0400289.

20 713 782

Parts for other finishes can be found here: [Chrome](#)



22 Abbildgemaß 0411.01.001.00-9