

**MEM Three-hole basin mixer with pop-up waste - Brushed Dark Platinum**

MEM

20 713 782



- 165mm projection
- fixed spout
- rectangular, air-enriched flow
- height of mixer 277 mm
- height up to aerator 170 mm
- hole diameter spout 35 mm
- hole diameter valve 32 mm
- rosette 60 x 60 mm
- 2x screw-in M 10 x 1 pressure hose, leak-tested
- max. flow 8.3 l/min
- lead-free
- This product can help a building meet the requirements of Green Building Rating Systems, e.g. LEED®, BREEAM®, DGNB
- WRAS 2306057

Only suitable for basins with an overflow.

|   |                                |               |
|---|--------------------------------|---------------|
|  | Brushed Dark Platinum          | 20 713 782-99 |
|  | Chrome                         | 20 713 782-00 |
|  | Brushed Platinum               | 20 713 782-06 |
|  | Platinum                       | 20 713 782-08 |
|  | Dark Chrome                    | 20 713 782-19 |
|  | Brushed Durabronze (23kt Gold) | 20 713 782-28 |
|  | Brushed Champagne (22kt Gold)  | 20 713 782-46 |
|  | Champagne (22kt Gold)          | 20 713 782-47 |

**Recommended miscellaneous**

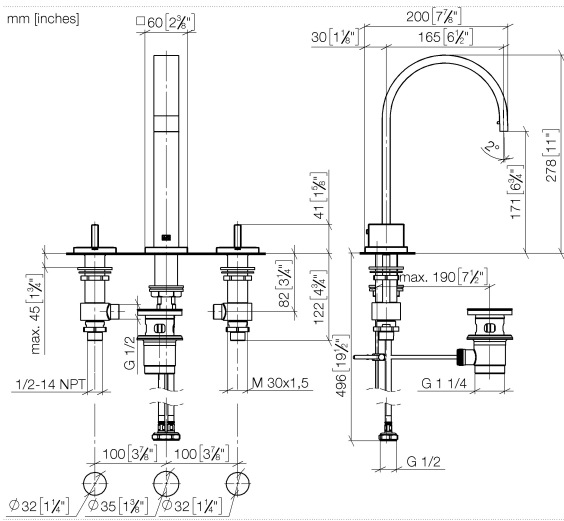


**High pressure hoses -**

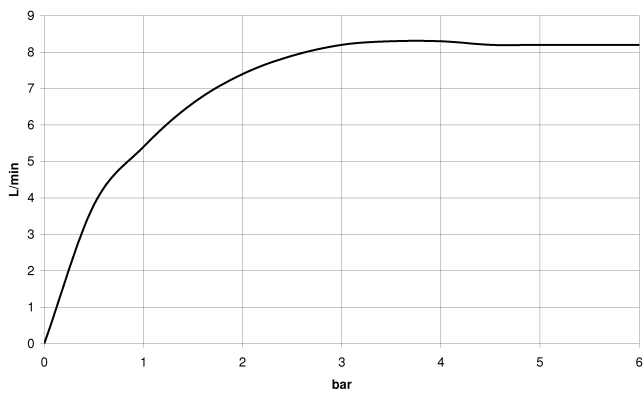
- 2x 3/8" x 1/2" x 500mm high pressure hose

12 506 970 90

20 713 782



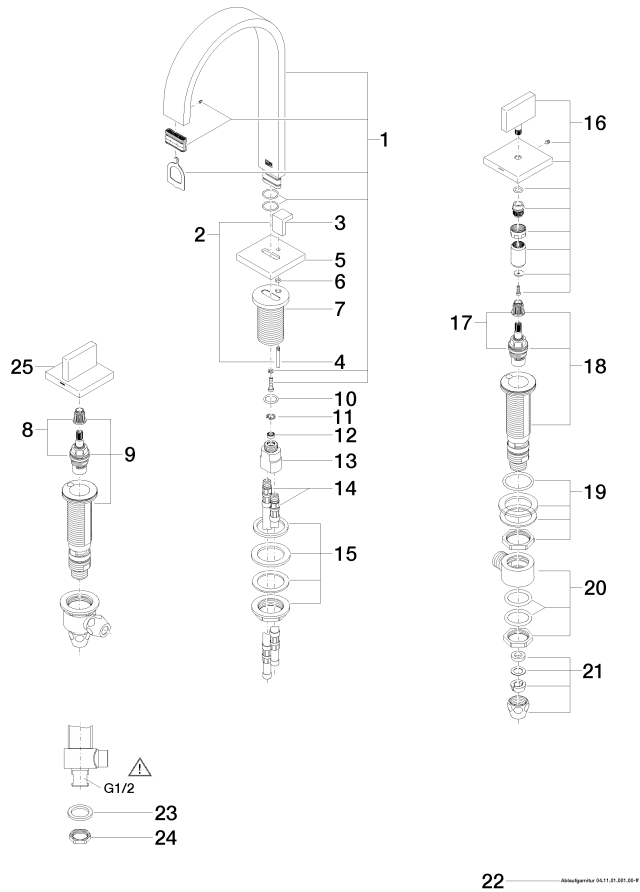
**Flow rate chart**



**Certificates**

WRAS\_2306057.    LGA\_18594.    ETA\_18154.    GDV\_0400289.

20 713 782



20 713 782

Spare parts list

| No. | Item Number        | Name               | Quantity used | Delivery time |
|-----|--------------------|--------------------|---------------|---------------|
| 1   | 90 28 22 158 00-99 | spout              | 1             | 30            |
| 2   | 04 20 78 030 80-99 | pull-rod           | 1             | 30            |
| 3   | 09 20 78 030-99    | handle             | 1             | 30            |
| 4   | 09 31 09 080-99    | pull-rod           | 1             | 30            |
| 5   | 09 27 78 032-99    | rosette            | 1             | 30            |
| 6   | 09 14 10 166 90    | seal               | 1             | 2             |
| 7   | 09 11 10 054 10 90 | connection         | 1             | 2             |
| 8   | 90 90 03 152 00 90 | top                | 1             | 2             |
| 9   | 04 17 11 058 52 90 | side panel         | 1             | 2             |
| 10  | 09 14 10 130 90    | seal               | 1             | 2             |
| 11  | 09 16 01 016 90    | ring               | 1             | 2             |
| 12  | 09 23 01 052 90    | flow reducer       | 1             | 2             |
| 13  | 09 11 10 055 10 90 | connection         | 1             | 2             |
| 14  | 04 30 04 016 00 90 | hose               | 2             | 60            |
| 15  | 04 23 10 009 01 90 | fixing set         | 1             | 2             |
| 16  | 90 20 78 002 04-99 | handle ( cold )    | 1             | 30            |
| 17  | 90 90 03 153 00 90 | top                | 1             | 2             |
| 18  | 04 17 11 058 53 90 | side panel         | 1             | 2             |
| 19  | 04 23 10 032 78 90 | fixing set         | 2             | 2             |
| 20  | 04 17 11 023 10 90 | distributor        | 2             | 2             |
| 21  | 90 23 30 040 00-99 | threaded connector | 4             | 30            |
| 22  | 90 11 01 001 00-99 | pop-up waste       | 1             | 30            |
| 23  | 09 30 11 059 90    | disc               | 2             | 2             |
| 24  | 09 23 10 012 90    | nut                | 2             | 2             |
| 25  | 90 20 78 002 05-99 | handle ( hot )     | 1             | 30            |