

LISSÉ Three-hole basin mixer with pop-up waste - Brushed Platinum

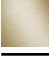

LISSÉ

20 713 845



- 130mm projection
  - fixed spout
  - circular, air-enriched flow
  - height of mixer 95 mm
  - height up to aerator 75 mm
  - hole diameter valve 32 mm
  - hole diameter spout 35 mm
  - rosette Ø 48 mm
  - max. flow 5.7 l/min
  - lead-free
  - WRAS 2210005
  - This product can help a building meet the requirements of Green Building Rating Systems, e.g. LEED®, BREEAM®, DGNB
- Only suitable for basins with an overflow.**

Only suitable for basins with an overflow.

	Brushed Platinum	20 713 845-06
	Chrome	20 713 845-00
	Dark Chrome	20 713 845-19
	Brushed Light Gold	20 713 845-27
	Matte Black	20 713 845-33
	Brushed Chrome	20 713 845-93
	Brushed Dark Platinum	20 713 845-99

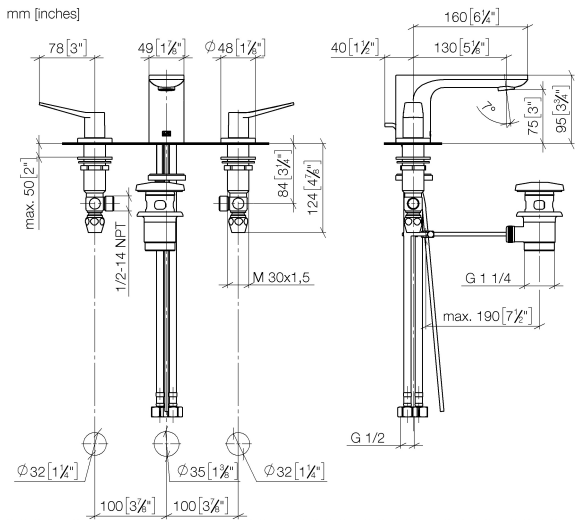
Required miscellaneous



**High pressure hoses -**  
● 2x 3/8" x 1/2" x 500mm high pressure hose

12 506 970 90

20 713 845



**Flow rate chart**



**Codes & Standards**

DIN 4109

ISO 3822

Scottish Water  
Byelaws

UK Water Supply  
Regulations

**Ü-Zeichen**



# LISSÉ Three-hole basin mixer with pop-up waste - Brushed Platinum

---

LISSÉ

20 713 845

## Certificates

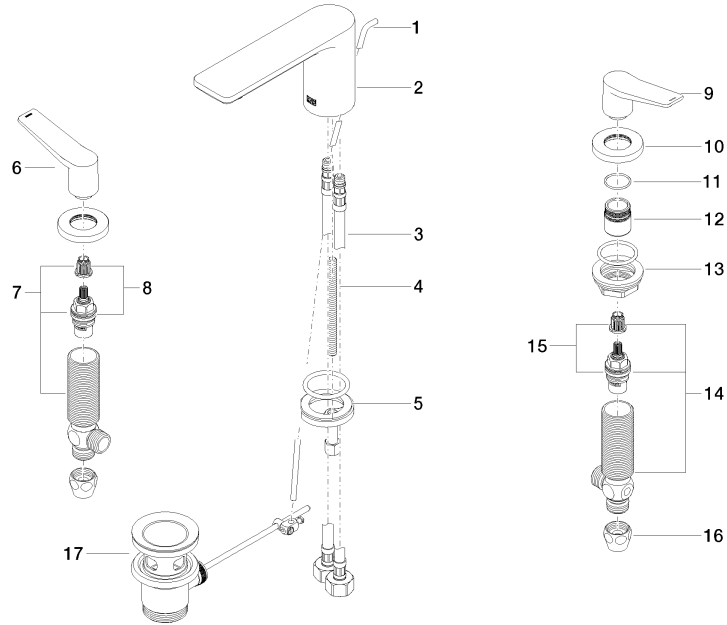
---

LGA\_29

WRAS\_2210

20 713 845

Product version from 3/9/2016





# LISSÉ Three-hole basin mixer with pop-up waste - Brushed Platinum

LISSÉ

20 713 845

## Spare parts list

### Product version from 3/9/2016

No.	Item Number	Name	Quantity used	Delivery time
	09 31 09 120-06	pull-rod	23	10