







20 713 845

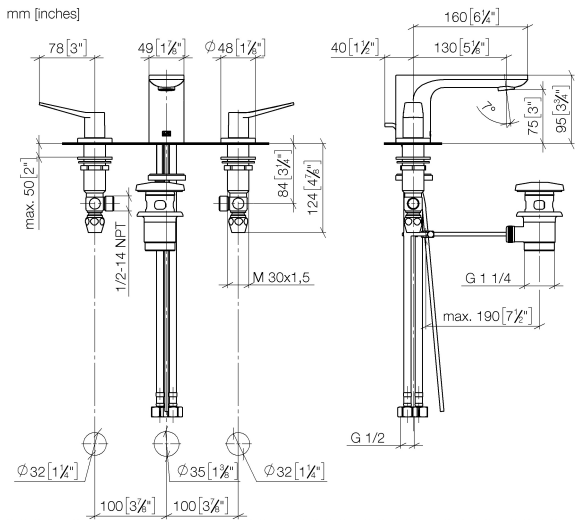


- 130mm projection
- fixed spout
- circular, air-enriched flow
- height of mixer 95 mm
- height up to aerator 75 mm
- hole diameter valve 32 mm
- hole diameter spout 35 mm
- rosette Ø 48 mm
- max. flow 5.7 l/min
- lead-free
- WRAS 2210005
- This product can help a building meet the requirements of Green Building Rating Systems, e.g. LEED®, BREEAM®, DGNB

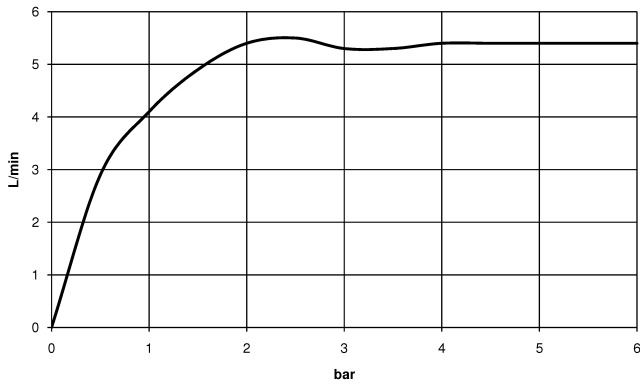
Only suitable for basins with an overflow.

	Dark Chrome	20 713 845-19
	Chrome	20 713 845-00
	Brushed Platinum	20 713 845-06
	Brushed Light Gold	20 713 845-27
	Matte Black	20 713 845-33
	Brushed Chrome	20 713 845-93
	Brushed Dark Platinum	20 713 845-99

20 713 845



Flow rate chart



Codes & Standards

DIN 4109

ISO 3822

Scottish Water
Byelaws

UK Water Supply
Regulations

Ü-Zeichen



LISSÉ Three-hole basin mixer with pop-up waste - Dark Chrome

LISSÉ

20 713 845

Certificates

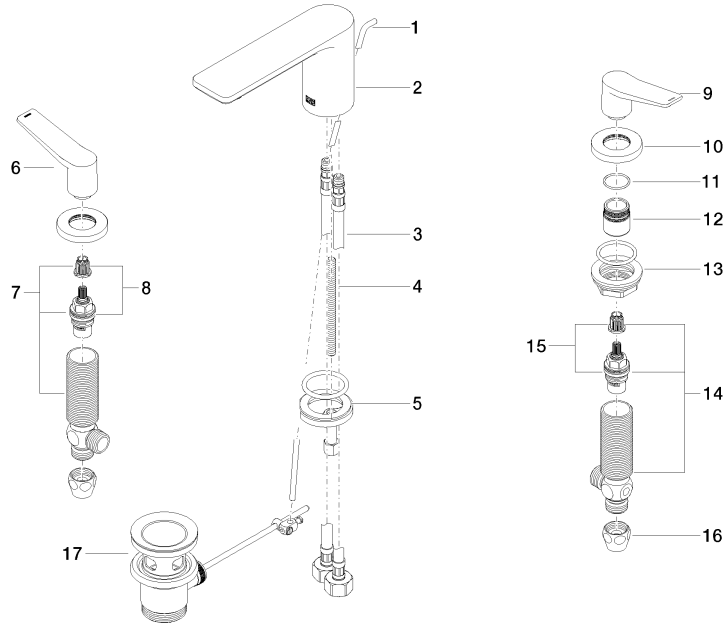
LGA_29

WRAS_2210

20 713 845

Product version from 3/9/2016

Parts for other finishes can be found here: [Chrome](#)





LISSÉ Three-hole basin mixer with pop-up waste - Dark Chrome

LISSÉ

20 713 845

Spare parts list

Product version from 3/9/2016

No.	Item Number	Name	Quantity used	Delivery time
	09 31 09 120-19	pull-rod	23	60