

MEM Three-hole basin mixer with pop-up waste - Champagne (22kt Gold)

MEM

20 715 782



- 200mm projection
- fixed spout
- rectangular, air-enriched flow
- height of mixer 320 mm
- hole diameter spout 35 mm
- hole diameter valve 32 mm
- rosette 60 x 60 mm
- 2x screw-in M 10 x 1 pressure hose, leak-tested
- max. flow 8.3 l/min
- lead-free
- This product can help a building meet the requirements of Green Building Rating Systems, e.g. LEED®, BREEAM®, DGNB
- WRAS 2306057

Only suitable for basins with an overflow.

	Champagne (22kt Gold)	20 715 782-47
	Chrome	20 715 782-00
	Brushed Platinum	20 715 782-06
	Platinum	20 715 782-08
	Dark Chrome	20 715 782-19
	Brushed Durabronze (23kt Gold)	20 715 782-28
	Brushed Champagne (22kt Gold)	20 715 782-46
	Brushed Dark Platinum	20 715 782-99

Recommended miscellaneous



High pressure hoses -
● 2x 3/8" x 1/2" x 500mm high pressure hose

12 506 970 90

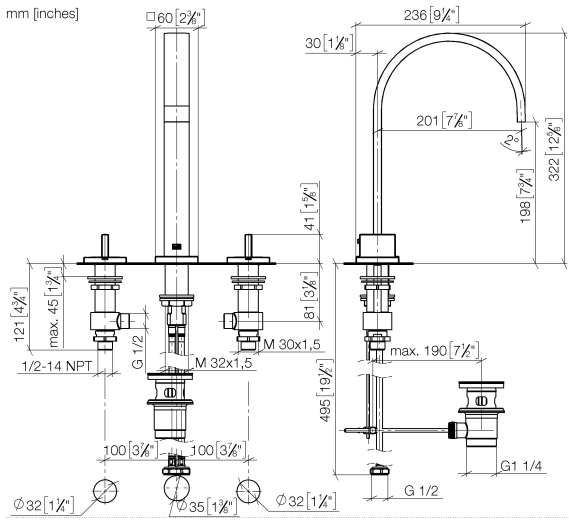
Recommended miscellaneous



High pressure hoses -
● 2x 3/8" x 1/2" x 500mm high pressure hose

12 506 970 90

20 715 782



Flow rate chart



Codes & Standards

DIN 4109	EN 200	Executive Order no. 1007	ISO 3822
Scottish Water Byelaws	UK Water Supply Regulations	Ü-Zeichen	VA-Zeichen



MEM Three-hole basin mixer with pop-up waste - Champagne (22kt Gold)

MEM

20 715 782

Certificates

ETA_18

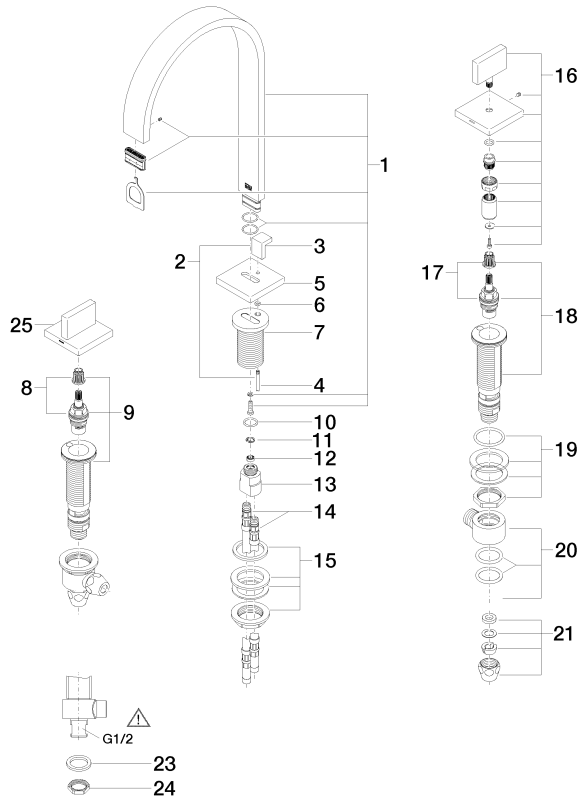
WRAS_2306

GDV_0400

LGA_18

20 715 782

Product version from 3/10/2014



22 Atlas/Spanker 1611.01.001.00-R



MEM Three-hole basin mixer with pop-up waste - Champagne (22kt Gold)

MEM

20 715 782

Spare parts list

Product version from 3/10/2014

No.	Item Number	Name	Quantity used	Delivery time
	90 28 22 155 00-47	spout	33	30