

**TARA Three-hole mixer - Chrome**

TARA

20 815 892



- 235mm projection
- pivotable spout 360°
- air-enriched flow
- height of mixer 370 mm
- height up to aerator 212 mm
- hole diameter spout 35 mm
- hole diameter valve 32 mm
- max. flow 7 l/min at 3 bar flow pressure
- lead-free
- This product can help a building meet the requirements of Green Building Rating Systems, e.g. LEED®, BREEAM®, DGNB
- WRAS 2107052

|   |                                |               |
|---|--------------------------------|---------------|
|   | Chrome                         | 20 815 892-00 |
|   | Brushed Platinum               | 20 815 892-06 |
|   | Platinum                       | 20 815 892-08 |
|   | Durabronze (23kt Gold)         | 20 815 892-09 |
|   | Dark Chrome                    | 20 815 892-19 |
|   | Brushed Durabronze (23kt Gold) | 20 815 892-28 |
|   | Matte Black                    | 20 815 892-33 |
|   | Brushed Champagne (22kt Gold)  | 20 815 892-46 |
|   | Champagne (22kt Gold)          | 20 815 892-47 |
|   | Brushed Chrome                 | 20 815 892-93 |
|  | Brushed Dark Platinum          | 20 815 892-99 |

**Recommended miscellaneous**

**Strainer waste with control handle - Chrome** 10 710 970-00

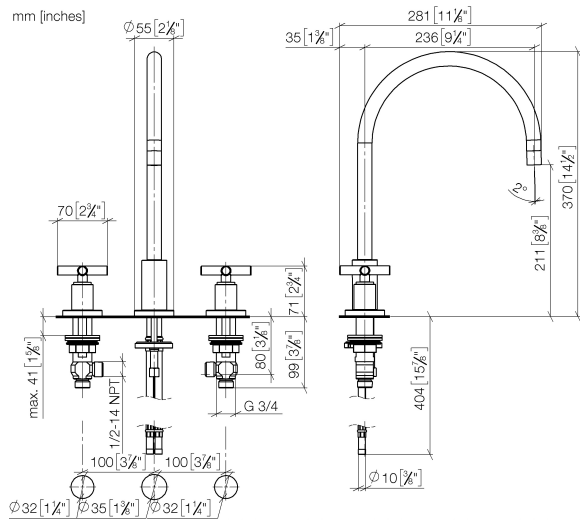


**Recommended miscellaneous**

**Dispenser with rosette - Chrome** 82 444 970-00



20 815 892



Flow rate chart



Codes & Standards

DIN 4109

EN 200

Executive Order  
no. 1007

ISO 3822

Scottish Water  
Byelaws

UK Water Supply  
Regulations

Ü-Zeichen

VA-Zeichen



TARA Three-hole mixer - Chrome

TARA

20 815 892

Certificates

WRAS\_2107

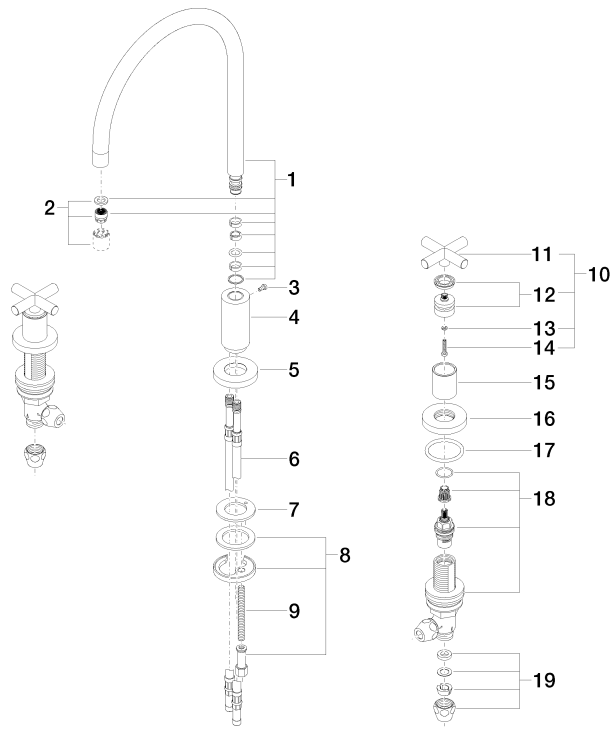
LGA\_19

ETA\_18

GDV\_0400

20 815 892

Product version from 6/30/2009





20 815 892

## **Spare parts list**

**Product version from 6/30/2009**