

TARA Single-hole basin mixer with raised base without pop-up waste - Brushed Chrome

TARA

22 533 892

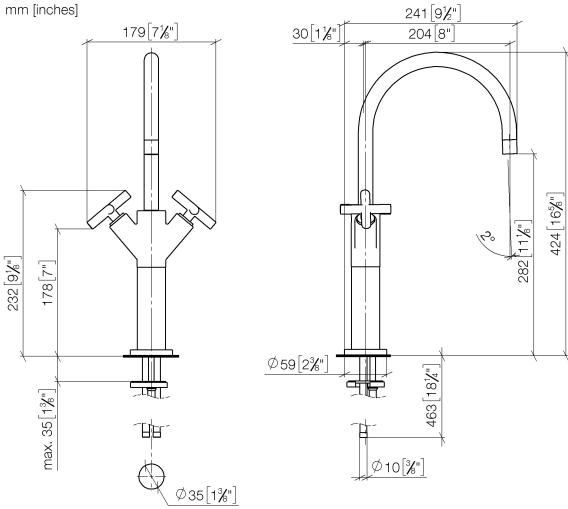


- 200mm projection
- pivotable spout 360°
- circular, air-enriched flow
- height of mixer 425 mm
- height up to aerator 280 mm
- hole diameter 35 mm
- rosette Ø 59 mm
- 2x screw-in M 10 x 1 pressure hose, leak-tested
- max. flow 7 l/min
- lead-free
- This product can help a building meet the requirements of Green Building Rating Systems, e.g. LEED®, BREEAM®, DGNB
- WRAS 1810003

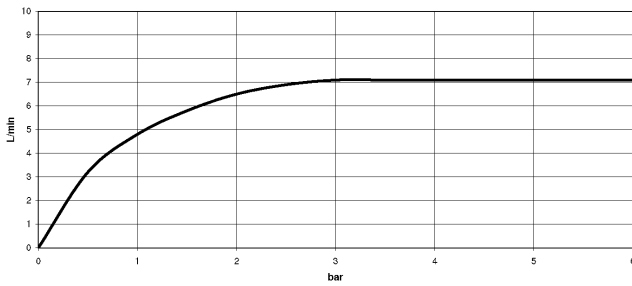
for use on countertop bowls

| | | |
|--|--------------------------------|---------------|
|  | Brushed Chrome | 22 533 892-93 |
|  | Chrome | 22 533 892-00 |
|  | Brushed Platinum | 22 533 892-06 |
|  | Platinum | 22 533 892-08 |
|  | Dark Chrome | 22 533 892-19 |
|  | Brushed Durabronze (23kt Gold) | 22 533 892-28 |
|  | Matte Black | 22 533 892-33 |
|  | Brushed Bronze | 22 533 892-42 |
|  | Brushed Champagne (22kt Gold) | 22 533 892-46 |
|  | Champagne (22kt Gold) | 22 533 892-47 |
|  | Brushed Dark Platinum | 22 533 892-99 |

22 533 892
mm [inches]



Flow rate chart



Codes & Standards

| | | | |
|---------------------------|--------------------------------|-----------------------------|------------|
| DIN 4109 | EN 200 | Executive Order no. 1007 | ISO 3822 |
| Scottish Water Byelaws | UK Water Supply Regulations | Ü-Zeichen | VA-Zeichen |



TARA Single-hole basin mixer with raised base without pop-up waste - Brushed Chrome

TARA

22 533 892

Certificates

LGA_18

GDV_0400

ETA_18

WRAS_240702



TARA Single-hole basin mixer with raised base without pop-up waste - Brushed Chrome

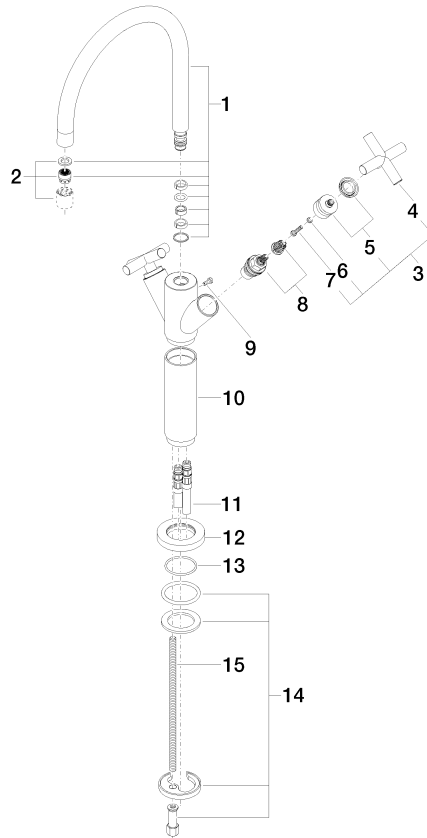
TARA

22 533 892

Product version from 6/30/2009 to 5/27/2021

Product version from 5/27/2021

Parts for other finishes can be found here: [Chrome](#)





TARA Single-hole basin mixer with raised base without pop-up waste - Brushed
Chrome

TARA

22 533 892

Spare parts list

Product version from 6/30/2009 to 5/27/2021

Product version from 5/27/2021