

TARA Single-hole basin mixer with raised base without pop-up waste - Brushed Dark Platinum

TARA

22 533 892

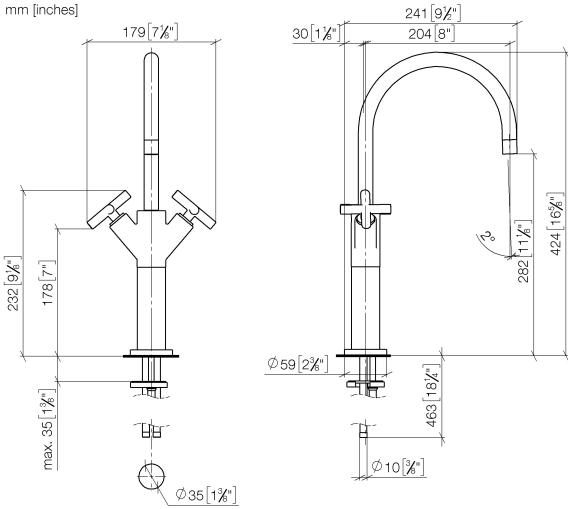


- 200mm projection
- pivotable spout 360°
- circular, air-enriched flow
- height of mixer 425 mm
- height up to aerator 280 mm
- hole diameter 35 mm
- rosette Ø 59 mm
- 2x screw-in M 10 x 1 pressure hose, leak-tested
- max. flow 7 l/min
- lead-free
- This product can help a building meet the requirements of Green Building Rating Systems, e.g. LEED®, BREEAM®, DGNB
- WRAS 1810003

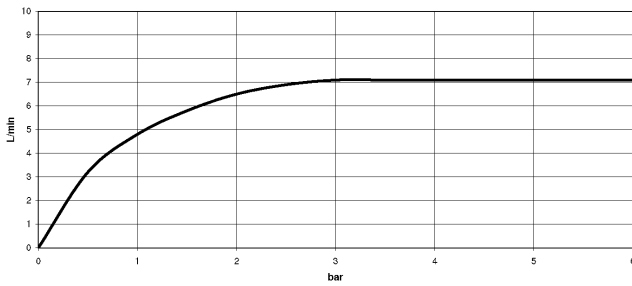
for use on countertop bowls

	Brushed Dark Platinum	22 533 892-99
	Chrome	22 533 892-00
	Brushed Platinum	22 533 892-06
	Platinum	22 533 892-08
	Dark Chrome	22 533 892-19
	Brushed Durabronze (23kt Gold)	22 533 892-28
	Matte Black	22 533 892-33
	Brushed Bronze	22 533 892-42
	Brushed Champagne (22kt Gold)	22 533 892-46
	Champagne (22kt Gold)	22 533 892-47
	Brushed Chrome	22 533 892-93

22 533 892
mm [inches]



Flow rate chart



Codes & Standards

DIN 4109

EN 200

Executive Order
no. 1007

ISO 3822

Scottish Water
Byelaws

UK Water Supply
Regulations

Ü-Zeichen

VA-Zeichen



TARA Single-hole basin mixer with raised base without pop-up waste - Brushed
Dark Platinum

TARA

22 533 892

Certificates

LGA_18

GDV_0400

ETA_18

WRAS_1810



TARA Single-hole basin mixer with raised base without pop-up waste - Brushed Dark Platinum

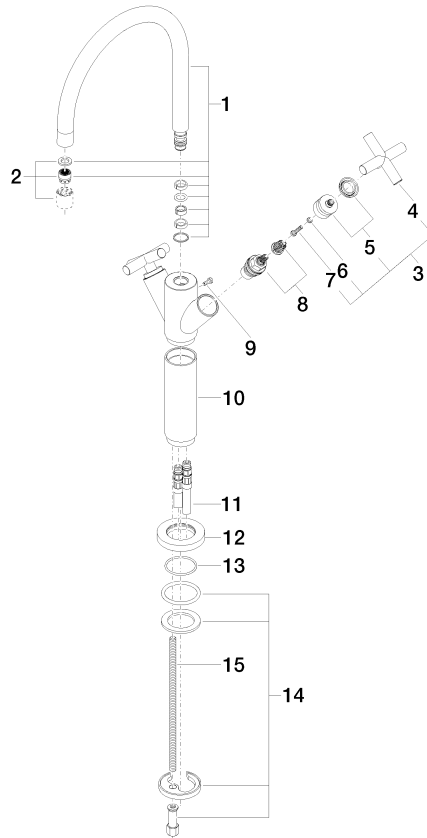
TARA

22 533 892

Product version from 6/30/2009 to 5/27/2021

Product version from 5/27/2021

Parts for other finishes can be found here: [Chrome](#)





TARA Single-hole basin mixer with raised base without pop-up waste - Brushed
Dark Platinum

TARA

22 533 892

Spare parts list

Product version from 6/30/2009 to 5/27/2021

Product version from 5/27/2021