

26 413 360



- slide bar
- Pipe diameter 18 mm
- rosette Ø 60 mm
- gauge 850 mm
- metal shower hose 1750mm with integrated anti-twist protection
- shower hose connector 1/2"
- WRAS 2009048

This article does not include a hand shower!

| | | |
|--|------------------------------|---------------|
| | Brushed Durabron (23kt Gold) | 26 413 360-28 |
| | Chrome | 26 413 360-00 |
| | Brushed Platinum | 26 413 360-06 |
| | Platinum | 26 413 360-08 |
| | Durabron (23kt Gold) | 26 413 360-09 |
| | Brushed Dark Platinum | 26 413 360-99 |

Recommended miscellaneous

| | | |
|--|--|---------------|
| | Concealed wall elbow - •max. recess depth 163 mm •min. recess depth 90 mm | 35 085 970 90 |
|--|--|---------------|

Recommended miscellaneous

| | | |
|--|--|---------------|
| | MADISON Wall elbow - Brushed Durabron (23kt Gold) | 28 450 410-28 |
|--|--|---------------|

Required miscellaneous

| | | |
|--|--|--------------------|
| | MADISON Metal hand shower with porcelain insert (white) FlowReduce - Brushed Durabron (23kt Gold) | 28 002 970-28 0010 |
|--|--|--------------------|

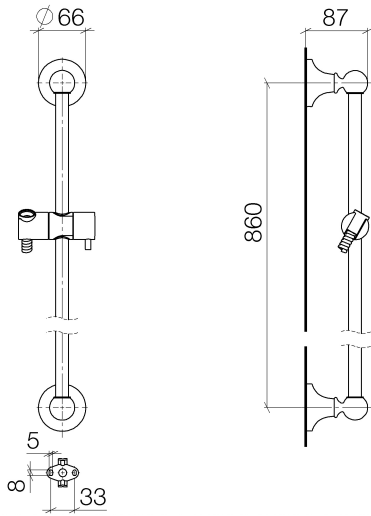
Required miscellaneous

| | | |
|--|---|---------------|
| | MADISON Hand shower - Brushed Durabron (23kt Gold) •spray head Ø 95mm •Hand shower see page {PAGE} •Three settings: COMPACT RAIN, COMPACT SOFT FLOW, COMPACT AQUAPRESSURE FLOW, max. flow rate l/min (at 3 bar) | 28 002 978-28 |
|--|---|---------------|

Required miscellaneous

| | | |
|--|--|--------------------|
| | MADISON Hand shower FlowReduce - Brushed Durabron (23kt Gold) •spray head Ø 95mm •Hand shower see page {PAGE} •Three settings: COMPACT RAIN, COMPACT SOFT FLOW, COMPACT AQUAPRESSURE FLOW, max. flow rate l/min (at 3 bar) | 28 002 978-28 0010 |
|--|--|--------------------|

26 413 360



Codes & Standards

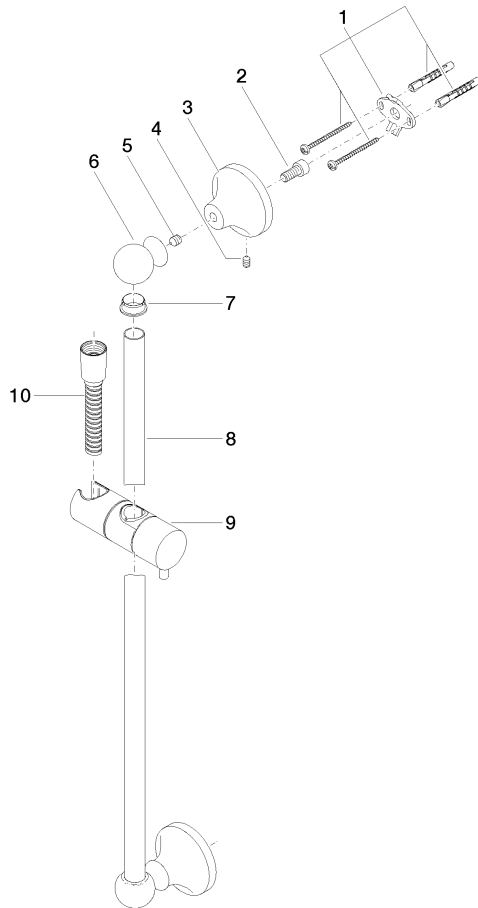
Scottish Water
Byelaws

UK Water Supply
Regulations

Certificates

WRAS_2009

26 413 360





MADISON Shower set without hand shower - Brushed Durabronz (23kt Gold)

MADISON

26 413 360

Spare parts list

| No. | Item Number | Name | Quantity used | Delivery time |
|-----|--------------------|------------|---------------|---------------|
| | 90 17 20 708 00 90 | fixing set | 17 | 2 |