

Rinsing spray set - Brushed Bronze

27 723 970 Product version from 2/1/2023



- with angular rosette
- spray flow
- automatic spout/shower diverter
- height of mixer 190 mm
- hole diameter rinsing spray 32mm
- fabric braided hose 1500 mm
- sprayface with anti-scaling system
- lead-free

Can only be combined with 33826680, 32815680.

Intrinsic protection against back flow.

Residual water may emerge from the spray after closing.

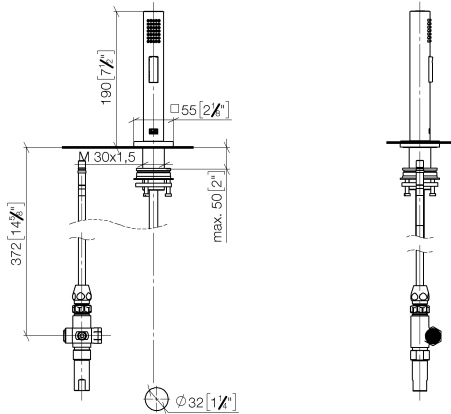
Operating unit can be positioned freely.

	Brushed Bronze	27 723 970-42
	Chrome	27 723 970-00
	Brushed Platinum	27 723 970-06
	Platinum	27 723 970-08
	Dark Chrome	27 723 970-19
	Brushed Durabronze (23kt Gold)	27 723 970-28
	Brushed Champagne (22kt Gold)	27 723 970-46
	Champagne (22kt Gold)	27 723 970-47
	Brushed Dark Platinum	27 723 970-99

Rinsing spray set - Brushed Bronze

27 723 970 Product version from 2/1/2023

mm [inches]



Codes & Standards

DIN 4109

ISO 3822

NSF372

NSF61

Ü-Zeichen

Certificates

LGA_29

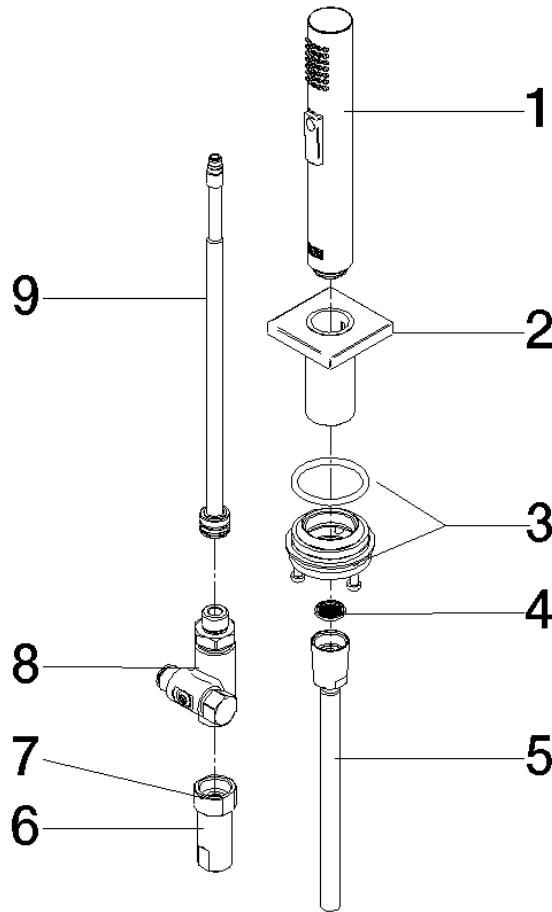
IAPMO_N-4976

IAPMO_6397

Rinsing spray set - Brushed Bronze

27 723 970 Product version from 2/1/2023

Parts for other finishes can be found here: [Chrome](#)



Spare parts list

No.	Item Number	Name	Quantity used	Delivery time
1	04 12 11 158 00-42	shower	1	60
2	90 27 78 011 00-42	shaft	1	30
3	90 30 10 058 00 90	fixing set	1	2
4	09 23 01 039 90	sieve	1	2
5	90 30 02 062 00-42	hose	1	30
6	90 24 03 241 00 90	nipple	1	2
7	90 14 20 026 00 90	seal	1	2
8	90 17 09 046 12 90	diverter	1	2
9	90 28 20 068 00 90	connection	1	2