

Shower head - Chrome

IMO

28 504 670



- 180-210mm projection
- ball-joint pivotable through 30°
- PURIFY RAIN, max. flow rate 7 l/min (at 3 bar)
- with anti-scale system
- spray head Ø 100mm
- rosette 60 x 60 mm
- 1/2" connection
- Function from: 6 l/min

Fits: IMO, MEM, CL.1, CYO

| | | |
|---|-------------------------------------|---------------|
|  | Chrome | 28 504 670-00 |
|  | Brushed Platinum | 28 504 670-06 |
|  | Platinum | 28 504 670-08 |
|  | Dark Chrome | 28 504 670-19 |
|  | Brushed Light Gold | 28 504 670-27 |
|  | Brushed Durabronze (23kt Gold) | 28 504 670-28 |
|  | Matte Black | 28 504 670-33 |
|  | Brushed Champagne (22kt Gold) | 28 504 670-46 |
|  | Champagne (22kt Gold) | 28 504 670-47 |
|  | Brushed Chrome | 28 504 670-93 |
|  | Brushed Dark Platinum | 28 504 670-99 |

Recommended miscellaneous



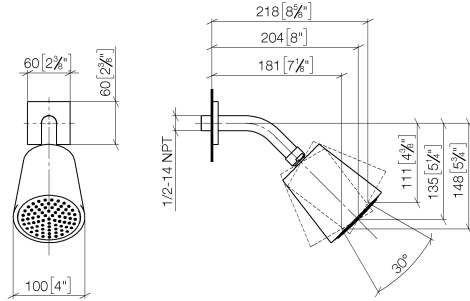
Concealed wall elbow -

35 085 970 90

- max. recess depth 163 mm
- min. recess depth 90 mm

28 504 670

mm [inches]



Flow rate chart



Codes & Standards

DIN 4109

ISO 3822

Ü-Zeichen



Shower head - Chrome

IMO

28 504 670

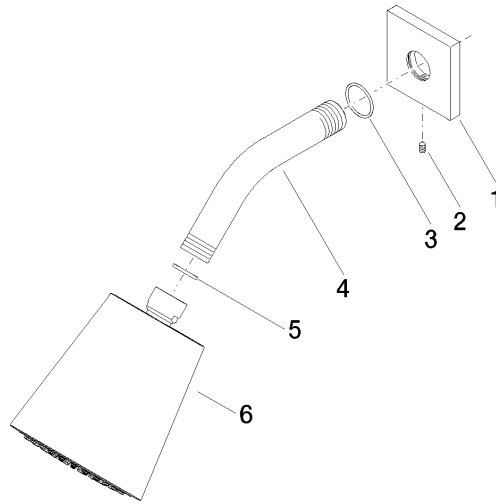
Certificates

LGA_19

28 504 670

Product version up to 6/30/2015

Product version from 6/30/2015





Shower head - Chrome

IMO

28 504 670

Spare parts list

Product version up to 6/30/2015

Product version from 6/30/2015

| No. | Item Number | Name | Quantity used | Delivery time |
|-----|-----------------|---------|---------------|---------------|
| | 09 27 98 003-00 | rosette | 6 | 10 |