

Rain shower with wall fixing 220 mm - Brushed Light Gold

IMO

28 649 670



- 450mm projection
- rain shower Ø 220 mm
- PURE RAIN, max. flow rate 14 l/min (at 3 bar)
- Function from: 7 l/min
- rosette 65 x 65 mm
- 1/2" connection
- with anti-scale system
- quick clearing
- WRAS 2212012

Fits: IMO, CYO

	Brushed Light Gold	28 649 670-27
	Chrome	28 649 670-00
	Brushed Platinum	28 649 670-06
	Platinum	28 649 670-08
	Dark Chrome	28 649 670-19
	Brushed Durabross (23kt Gold)	28 649 670-28
	Matte Black	28 649 670-33
	Brushed Champagne (22kt Gold)	28 649 670-46
	Champagne (22kt Gold)	28 649 670-47
	Brushed Chrome	28 649 670-93
	Brushed Dark Platinum	28 649 670-99

Recommended miscellaneous

- Concealed wall elbow -** 35 085 970 90
- min. recess depth 90 mm
 - max. recess depth 163 mm



28 649 670

mm [inches]



Flow rate chart



Codes & Standards

DIN 4109

ISO 3822

Scottish Water
Byelaws

UK Water Supply
Regulations

Ü-Zeichen



Rain shower with wall fixing 220 mm - Brushed Light Gold

IMO

28 649 670

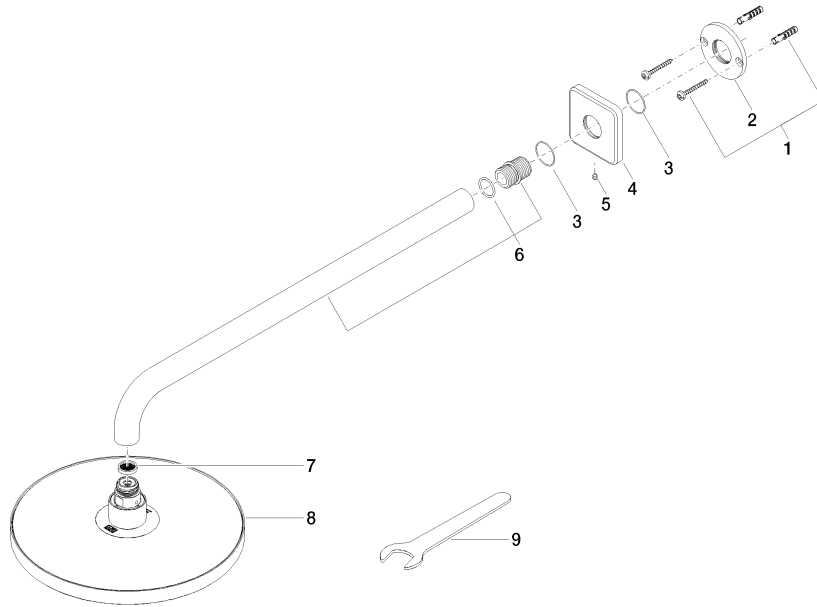
Certificates

LGA_38

WRAS_2212

28 649 670

Product version from 3/13/2017





Rain shower with wall fixing 220 mm - Brushed Light Gold

IMO

28 649 670

Spare parts list

Product version from 3/13/2017

No.	Item Number	Name	Quantity used	Delivery time
	04 30 31 032 00 90	fixing set	10	2