



LOT BAR TAP Two-hole mixer with individual rosettes - Champagne (22kt Gold)

LOT

32 805 680



- 165mm projection
- pivotable spout 360°
- air-enriched flow
- height of mixer 230 mm
- height up to laminar flow regulator 205 mm
- individual rosette 55 x 55 mm
- hole diameter spout 35 mm
- single-lever mixer hole diameter 44 mm
- max. flow 8 l/min at 3 bar flow pressure
- lead-free
- WRAS 1909073
- This product can help a building meet the requirements of Green Building Rating Systems, e.g. LEED®, BREEAM®, DGNB

Operating unit can be positioned freely.

| | | |
|--|--------------------------------|---------------|
| | Champagne (22kt Gold) | 32 805 680-47 |
| | Chrome | 32 805 680-00 |
| | Brushed Platinum | 32 805 680-06 |
| | Platinum | 32 805 680-08 |
| | Dark Chrome | 32 805 680-19 |
| | Brushed Durabronze (23kt Gold) | 32 805 680-28 |
| | Brushed Champagne (22kt Gold) | 32 805 680-46 |
| | Brushed Dark Platinum | 32 805 680-99 |

Recommended miscellaneous

Dispenser with rosette - Champagne (22kt Gold)

82 439 970-47



Recommended miscellaneous

Strainer waste with control handle - Champagne (22kt Gold)

10 711 970-47

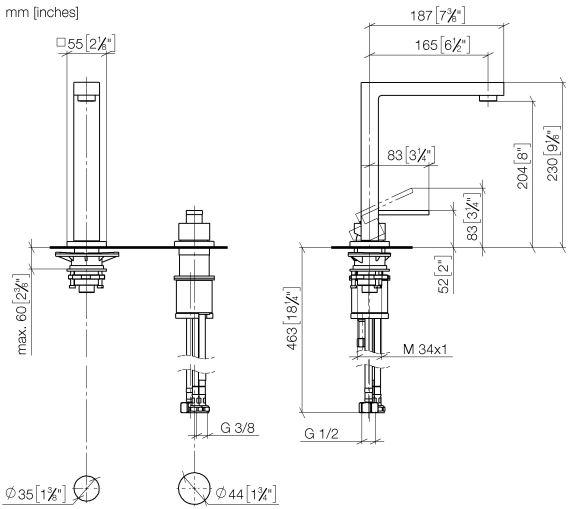


LOT BAR TAP Two-hole mixer with individual rosettes - Champagne (22kt Gold)

LOT

32 805 680

mm [inches]



Flow rate chart



Codes & Standards

DIN 4109

Executive Order
no. 1007

ISO 3822

Ü-Zeichen



LOT BAR TAP Two-hole mixer with individual rosettes - Champagne (22kt Gold)

LOT

32 805 680
Certificates

LGA_18

GDV_0400



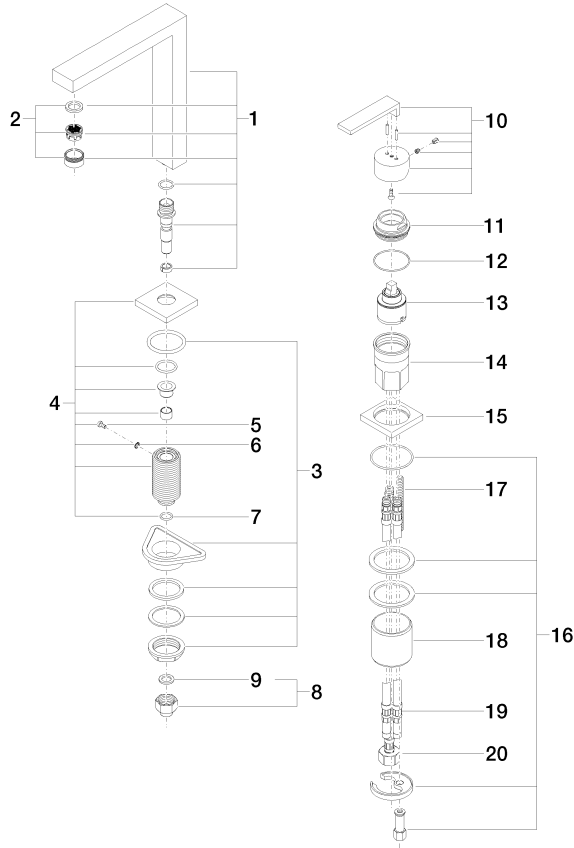
LOT BAR TAP Two-hole mixer with individual rosettes - Champagne (22kt Gold)

LOT

32 805 680

Product version from 6/1/2022

Parts for other finishes can be found here: [Chrome](#)





LOT BAR TAP Two-hole mixer with individual rosettes - Champagne (22kt Gold)

LOT

32 805 680

Spare parts list

Product version from 6/1/2022