

MEM Two-hole mixer with individual rosettes - Matte Black

MEM

32 815 682



- 241mm projection
- pivotable spout 360°
- Optional swivel limiter available with swivel limiter set 12 820 970 90
- air-enriched flow
- max. flow 6.3 l/min at 3 bar flow pressure
- lead-free
- This product can help a building meet the requirements of Green Building Rating Systems, e.g. LEED®, BREEAM®, DGNB
- WRAS 240102013

Operating unit can be positioned freely.

	Matte Black	32 815 682-33
	Chrome	32 815 682-00
	Brushed Platinum	32 815 682-06
	Platinum	32 815 682-08
	Durabronze (23kt Gold)	32 815 682-09
	Dark Chrome	32 815 682-19
	Brushed Durabronze (23kt Gold)	32 815 682-28
	Brushed Champagne (22kt Gold)	32 815 682-46
	Champagne (22kt Gold)	32 815 682-47
	Brushed Chrome	32 815 682-93
	Brushed Dark Platinum	32 815 682-99

Recommended miscellaneous

Swivel limitation set - 12 820 970 90



Recommended miscellaneous

Dispenser with rosette - Matte Black 82 444 970-33

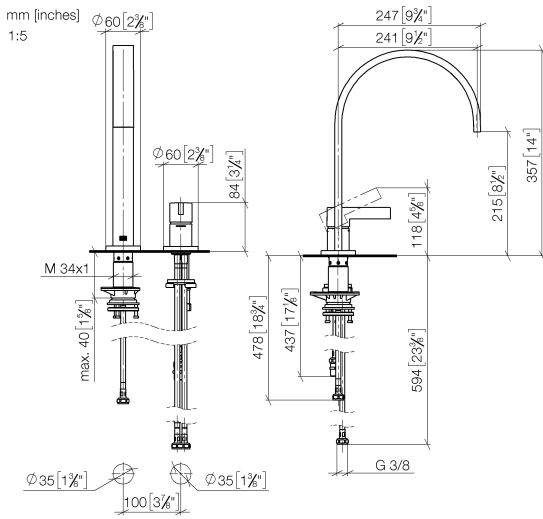


Recommended miscellaneous

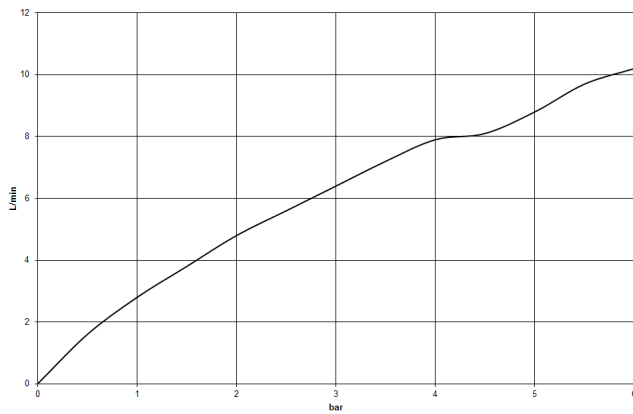
Strainer waste with control handle - Matte Black 10 710 970-33



32 815 682



Flow rate chart



Codes & Standards

DIN 4109

ISO 3822

Scottish Water
Byelaws

UK Water Supply
Regulations

Ü-Zeichen



MEM Two-hole mixer with individual rosettes - Matte Black

MEM

32 815 682

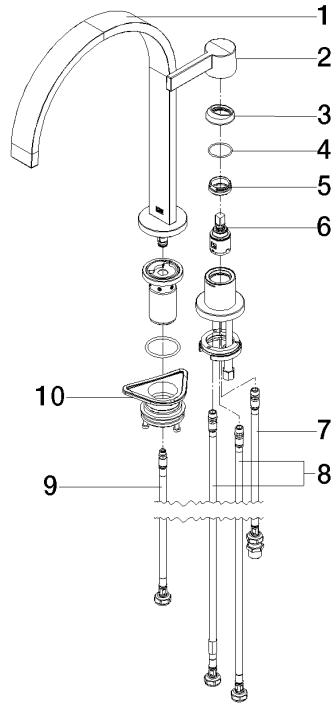
Certificates

WRAS_240102

LGA_38

32 815 682

Product version from 3/1/2023





MEM Two-hole mixer with individual rosettes - Matte Black

MEM

32 815 682

Spare parts list

Product version from 3/1/2023

No.	Item Number	Name	Quantity used	Delivery time
	90 28 22 390 00-33	spout	11	-

Spare part can no longer be ordered, please order the replacement item