

## META Single-lever basin mixer with pop-up waste - Brushed Platinum

33 501 660 Product version from 1/23/2020



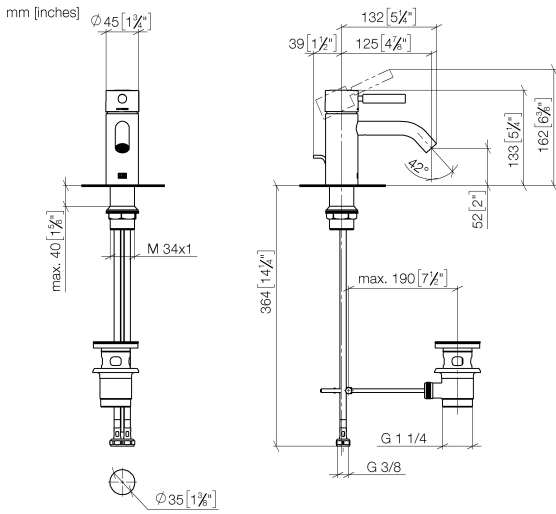
- 125mm projection
- fixed spout
- circular, air-enriched flow
- height of mixer 133 mm
- height up to aerator 52 mm
- hole diameter 35 mm
- 2x screw-in M 8 x 1 pressure hose, leak-tested
- max. flow 5.7 l/min
- lead-free
- This product can help a building meet the requirements of Green Building Rating Systems, e.g. LEED®, BREEAM®, DGNB
- WRAS

Only suitable for basins with an overflow.

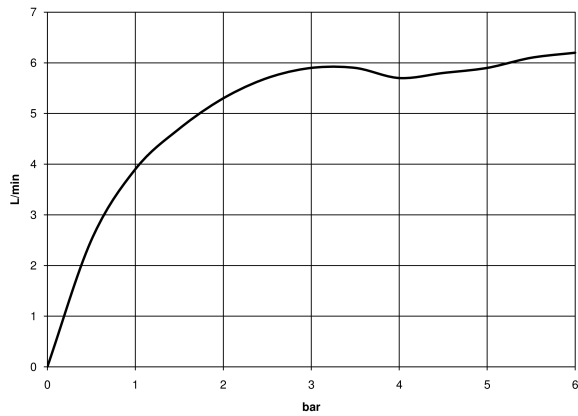
|   |                               |               |
|---|-------------------------------|---------------|
|    | Brushed Platinum              | 33 501 660-06 |
|    | Chrome                        | 33 501 660-00 |
|    | Dark Chrome                   | 33 501 660-19 |
|    | Light Gold                    | 33 501 660-26 |
|    | Brushed Light Gold            | 33 501 660-27 |
|    | Matte Black                   | 33 501 660-33 |
|    | Brushed Bronze                | 33 501 660-42 |
|    | Brushed Champagne (22kt Gold) | 33 501 660-46 |
|    | Champagne (22kt Gold)         | 33 501 660-47 |
|   | Brushed Chrome                | 33 501 660-93 |
|  | Brushed Dark Platinum         | 33 501 660-99 |

**META Single-lever basin mixer with pop-up waste - Brushed Platinum**

33 501 660 Product version from 1/23/2020



**Flow rate chart**



**Codes & Standards**

DIN 4109

EN 817

ISO 3822

Scottish Water  
Byelaws

UK Water Supply  
Regulations

Ü-Zeichen



## META Single-lever basin mixer with pop-up waste - Brushed Platinum

---

33 501 660 Product version from 1/23/2020

### Certificates

---

LGA\_29

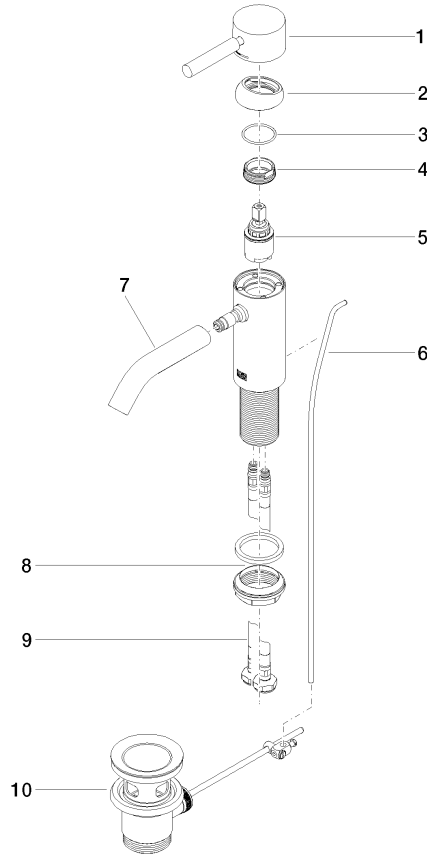
DVGW\_DW-  
6506DN0

WRAS\_2003

## META Single-lever basin mixer with pop-up waste - Brushed Platinum

33 501 660 Product version from 1/23/2020

Parts for other finishes can be found here: [Chrome](#)



### Spare parts list

| No. | Item Number        | Name         | Quantity used | Delivery time |
|-----|--------------------|--------------|---------------|---------------|
| 1   | 90 20 66 002 00-06 | handle       | 1             | 10            |
| 2   | 09 28 30 041-06    | cover        | 1             | 10            |
| 3   | 09 14 10 091 90    | seal         | 1             | 2             |
| 4   | 09 24 04 266 90    | nut          | 1             | 2             |
| 5   | 90 15 05 044 00 90 | cartridge    | 1             | 2             |
| 6   | 09 31 09 110-06    | pull-rod     | 1             | 10            |
| 7   | 90 11 06 206 00-06 | spout        | 1             | 10            |
| 8   | 04 23 10 044 07 90 | fixing set   | 1             | 2             |
| 9   | 04 30 04 100 00 90 | hose         | 2             | 2             |
| 10  | 90 11 01 001 00-06 | pop-up waste | 1             | 10            |