







## CL.1 Single-lever basin mixer without pop-up waste - Chrome

33 521 705 Product version from 5/10/2021

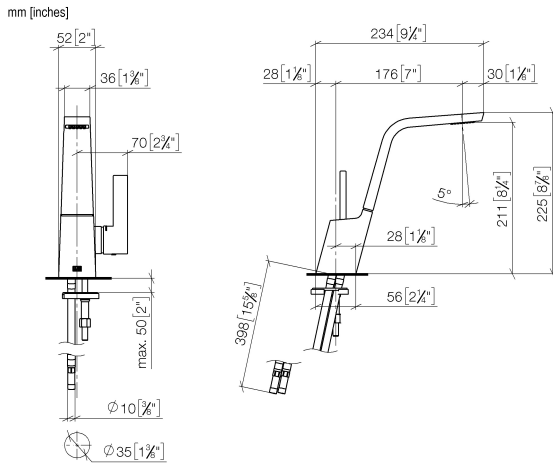


- 173mm projection
- fixed spout
- rectangular spray pattern with 40 individual jets
- height of mixer 226 mm
- base 56 x 52mm
- height up to aerator 212 mm
- hole diameter 35 mm
- 2x screw-in M 8 x 1 pressure hose, leak-tested
- max. flow 4 l/min
- lead-free
- WRAS
- This product can help a building meet the requirements of Green Building Rating Systems, e.g. LEED®, BREEAM®, DGNB

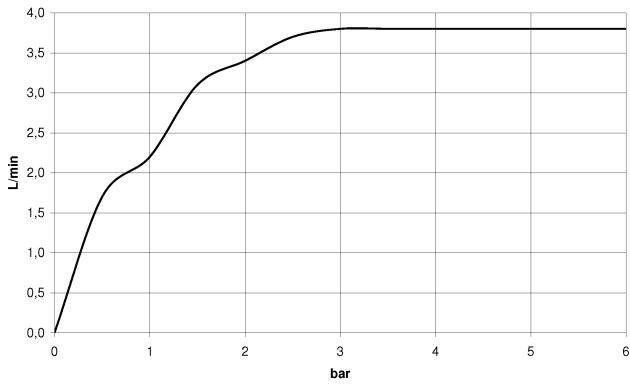
|   |                               |               |
|---|-------------------------------|---------------|
|  | Chrome                        | 33 521 705-00 |
|  | Brushed Platinum              | 33 521 705-06 |
|  | Dark Chrome                   | 33 521 705-19 |
|  | Brushed Champagne (22kt Gold) | 33 521 705-46 |
|  | Champagne (22kt Gold)         | 33 521 705-47 |
|  | Brushed Dark Platinum         | 33 521 705-99 |

**CL.1 Single-lever basin mixer without pop-up waste - Chrome**

33 521 705 Product version from 5/10/2021



**Flow rate chart**



**Codes & Standards**

DIN 4109

Executive Order  
no. 1007

ISO 3822

Scottish Water  
Byelaws

UK Water Supply  
Regulations

Ü-Zeichen



## CL.1 Single-lever basin mixer without pop-up waste - Chrome

---

33 521 705 Product version from 5/10/2021

### Certificates

---

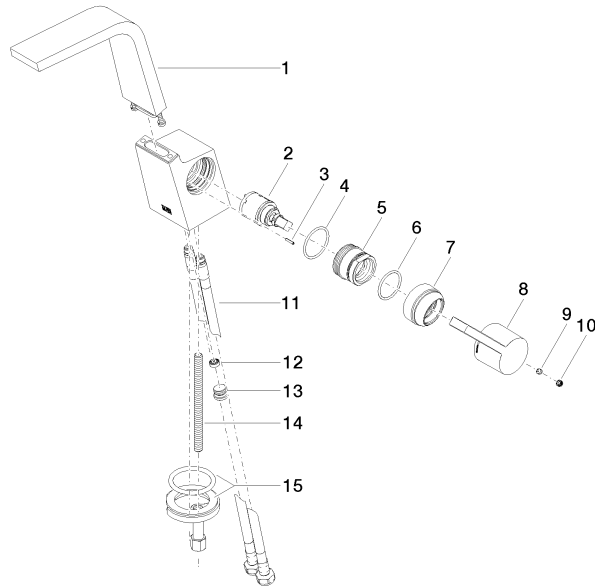
LGA\_28

GDV\_0400

WRAS\_1612

**CL.1 Single-lever basin mixer without pop-up waste - Chrome**

33 521 705 Product version from 5/10/2021



**Spare parts list**

| No. | Item Number        | Name         | Quantity used | Delivery time |
|-----|--------------------|--------------|---------------|---------------|
| 1   | 90 11 70 001 00-00 | spout        | 1             | 10            |
| 2   | 90 15 05 042 00 90 | cartridge    | 1             | 2             |
| 3   | 09 31 11 152 90    | pin          | 1             | 2             |
| 4   | 09 14 10 137 90    | seal         | 1             | 2             |
| 5   | 09 24 04 294 90    | sleeve       | 1             | 2             |
| 6   | 90 14 10 063 00 90 | seal         | 1             | 2             |
| 7   | 09 28 30 029-00    | cover        | 1             | 10            |
| 8   | 09 20 67 010-00    | handle       | 1             | 10            |
| 9   | 90 31 11 030 00 90 | pin          | 1             | 2             |
| 10  | 90 31 20 109 00 90 | plug         | 1             | 2             |
| 11  | 04 30 04 100 00 90 | hose         | 2             | 2             |
| 12  | 09 23 01 034 90    | flow reducer | 1             | 2             |
| 13  | 04 31 20 039 11 90 | plug         | 1             | 2             |
| 14  | 09 31 11 012 90    | pin          | 1             | 2             |
| 15  | 04 30 11 038 75 90 | fixing set   | 1             | 2             |