

33 805 861



- 166mm projection
- pivotable spout 360°
- Optional swivel limiter available with swivel limiter set 12 820 970 90
- air-enriched flow
- max. flow 8 l/min at 3 bar flow pressure
- lead-free
- This product can help a building meet the requirements of Green Building Rating Systems, e.g. LEED®, BREEAM®, DGNB
- WRAS 240102021

	Champagne (22kt Gold)	33 805 861-47
	Chrome	33 805 861-00
	Brushed Platinum	33 805 861-06
	Platinum	33 805 861-08
	Durabrand (23kt Gold)	33 805 861-09
	Dark Chrome	33 805 861-19
	Brushed Durabrand (23kt Gold)	33 805 861-28
	Matte Black	33 805 861-33
	Brushed Champagne (22kt Gold)	33 805 861-46
	Brushed Chrome	33 805 861-93
	Brushed Dark Platinum	33 805 861-99

Recommended miscellaneous

Swivel limitation set - 12 820 970 90



Recommended miscellaneous

Dispenser without rosette - Champagne (22kt Gold) 82 424 970-47

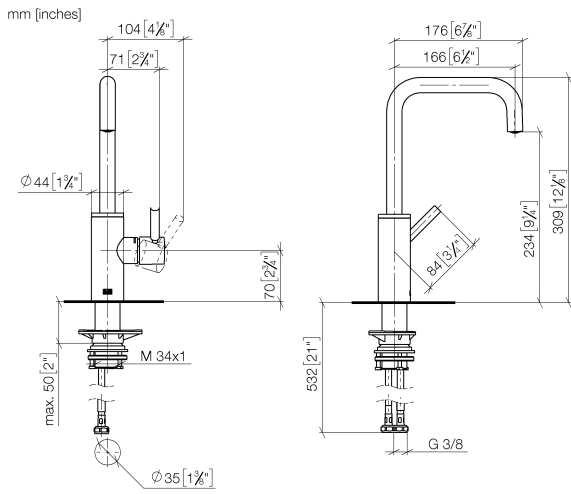


Recommended miscellaneous

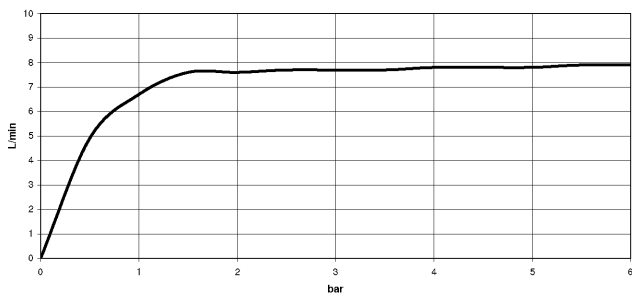
Strainer waste with control handle - Champagne (22kt Gold) 10 712 970-47



33 805 861



Flow rate chart



Codes & Standards

DIN 4109

ISO 3822

Scottish Water
Byelaws

UK Water Supply
Regulations

Ü-Zeichen



META SQUARE BAR TAP Single-lever mixer - Champagne (22kt Gold)

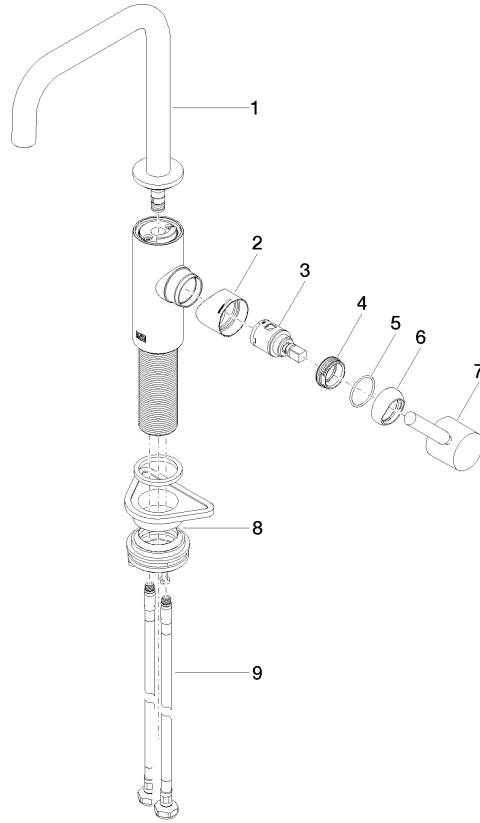
META SQUARE

33 805 861

Certificates

LGA_38

WRAS_240102





META SQUARE BAR TAP Single-lever mixer - Champagne (22kt Gold)

META SQUARE

33 805 861

Spare parts list

No.	Item Number	Name	Quantity used	Delivery time
	90 28 22 285 00-47	spout	10	-

Spare part can no longer be ordered, please order the replacement item