








33 805 861



- 166mm projection
- pivotable spout 360°
- Optional swivel limiter available with swivel limiter set 12 820 970 90
- air-enriched flow
- max. flow 8 l/min at 3 bar flow pressure
- lead-free
- This product can help a building meet the requirements of Green Building Rating Systems, e.g. LEED®, BREEAM®, DGNB
- WRAS 240102021

| | | |
|--|--------------------------------|---------------|
|  | Brushed Chrome | 33 805 861-93 |
|  | Chrome | 33 805 861-00 |
|  | Brushed Platinum | 33 805 861-06 |
|  | Platinum | 33 805 861-08 |
|  | Durabronze (23kt Gold) | 33 805 861-09 |
|  | Dark Chrome | 33 805 861-19 |
|  | Brushed Durabronze (23kt Gold) | 33 805 861-28 |
|  | Matte Black | 33 805 861-33 |
|  | Brushed Champagne (22kt Gold) | 33 805 861-46 |
|  | Champagne (22kt Gold) | 33 805 861-47 |
|  | Brushed Dark Platinum | 33 805 861-99 |

Recommended miscellaneous

Swivel limitation set - 12 820 970 90



Recommended miscellaneous

**Dispenser without rosette -
Brushed Chrome** 82 424 970-93

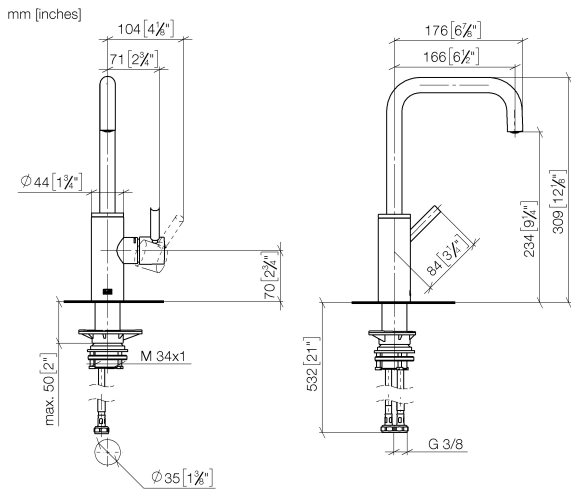


Recommended miscellaneous

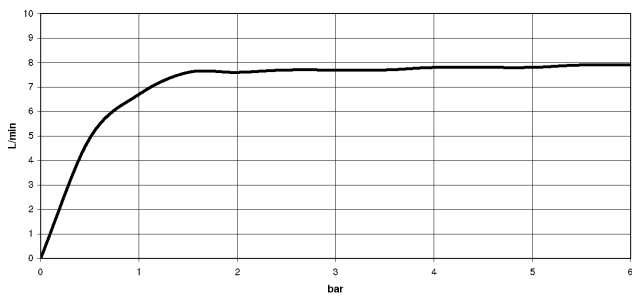
**Strainer waste with control handle -
Brushed Chrome** 10 712 970-93



33 805 861



Flow rate chart



Codes & Standards

DIN 4109

ISO 3822

Scottish Water
Byelaws

UK Water Supply
Regulations

Ü-Zeichen



META SQUARE BAR TAP Single-lever mixer - Brushed Chrome

META SQUARE

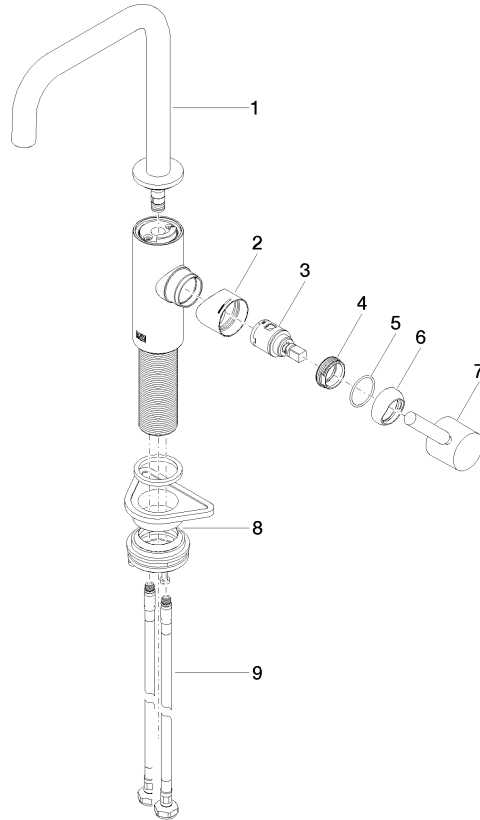
33 805 861

Certificates

LGA_38

WRAS_240102

33 805 861





META SQUARE BAR TAP Single-lever mixer - Brushed Chrome

META SQUARE

33 805 861

Spare parts list

| No. | Item Number | Name | Quantity used | Delivery time |
|-----|--------------------|-------|---------------|---------------|
| | 90 28 22 285 00-93 | spout | 10 | - |

Spare part can no longer be ordered, please order the replacement item