

33 815 888



- 236mm projection
- pivotable spout 360°
- air-enriched flow
- height of mixer 400 mm
- height up to aerator 230 mm
- hole diameter 35 mm
- max. flow 7 l/min at 3 bar flow pressure
- lead-free
- WRAS 2311044
- This product can help a building meet the requirements of Green Building Rating Systems, e.g. LEED®, BREEAM®, DGNB

	Chrome	33 815 888-00
	Brushed Platinum	33 815 888-06
	Platinum	33 815 888-08
	Durabronze (23kt Gold)	33 815 888-09
	Dark Chrome	33 815 888-19
	Brushed Durabronze (23kt Gold)	33 815 888-28
	Matte Black	33 815 888-33
	Brushed Champagne (22kt Gold)	33 815 888-46
	Champagne (22kt Gold)	33 815 888-47
	Brushed Chrome	33 815 888-93
	Brushed Dark Platinum	33 815 888-99

**Recommended miscellaneous**

**Strainer waste with control handle - Chrome** 10 710 970-00

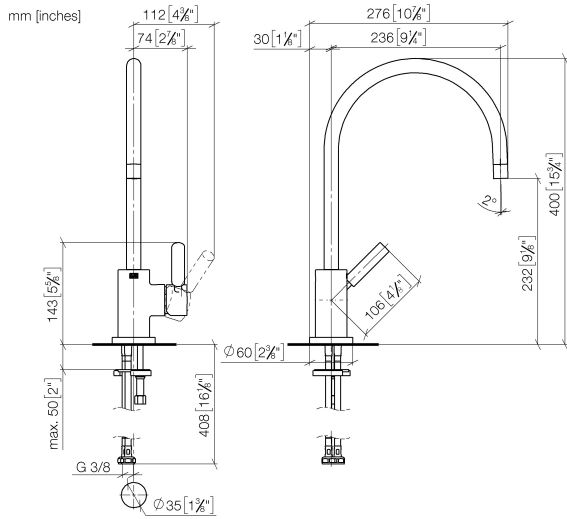


**Recommended miscellaneous**

**Dispenser with rosette - Chrome** 82 444 970-00



33 815 888



**Flow rate chart**



**Codes & Standards**

DIN 4109	EN 817	Executive Order no. 1007	ISO 3822
Scottish Water Byelaws	UK Water Supply Regulations	Ü-Zeichen	VA-Zeichen



TARA Single-lever mixer - Chrome

TARA

33 815 888

Certificates

GDV\_0400

ETA\_18

LGA\_8

WRAS\_2311

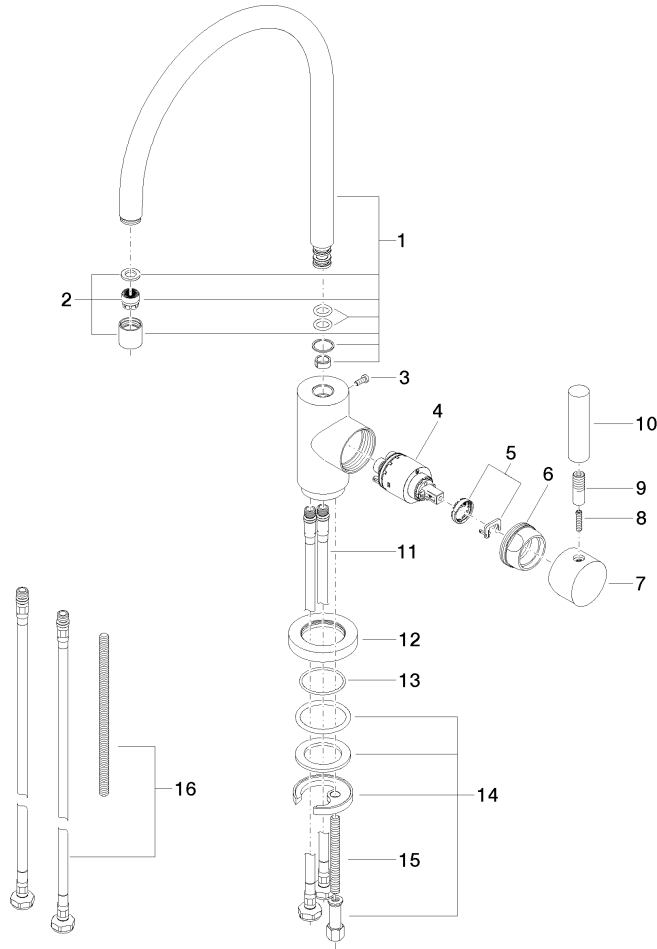
33 815 888

Product version up to 5/31/2010

Product version from 5/31/2010 to 10/27/2020

Product version from 10/27/2020 to 9/7/2021

**Product version from 9/7/2021**





## TARA Single-lever mixer - Chrome

TARA

33 815 888

### Spare parts list

Product version up to 5/31/2010

Product version from 5/31/2010 to 10/27/2020

Product version from 10/27/2020 to 9/7/2021

### **Product version from 9/7/2021**

No.	Item Number	Name	Quantity used	Delivery time
	90 28 22 049 02-00	spout	17	10