

TARA Single-lever mixer for rinsing/Profi spray - Durabron (23kt Gold)

33 826 888



- 235mm projection
- pivotable spout 360°
- air-enriched flow
- height of mixer 400 mm
- height up to aerator 230 mm
- single-lever mixer hole diameter 35mm
- max. flow 7 l/min at 3 bar flow pressure
- lead-free
- WRAS 2311044
- This product can help a building meet the requirements of Green Building Rating Systems, e.g. LEED®, BREEAM®, DGNB

Single-lever mixer for combining with rinsing/Profi spray only

	Durabron (23kt Gold)	33 826 888-09
	Chrome	33 826 888-00
	Brushed Platinum	33 826 888-06
	Platinum	33 826 888-08
	Dark Chrome	33 826 888-19
	Brushed Durabron (23kt Gold)	33 826 888-28
	Matte Black	33 826 888-33
	Brushed Champagne (22kt Gold)	33 826 888-46
	Champagne (22kt Gold)	33 826 888-47
	Brushed Chrome	33 826 888-93
	Brushed Dark Platinum	33 826 888-99

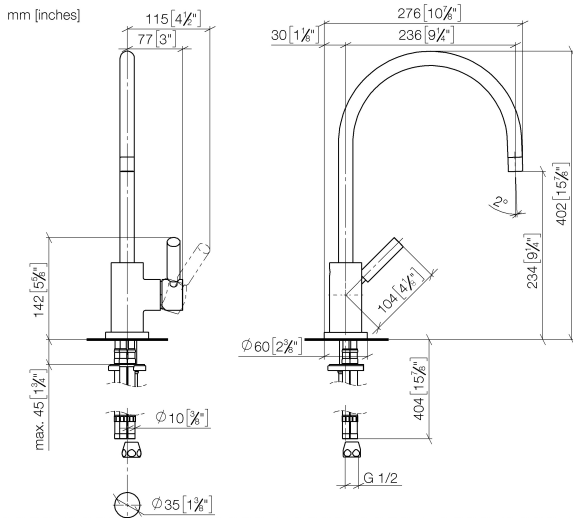
Recommended miscellaneous



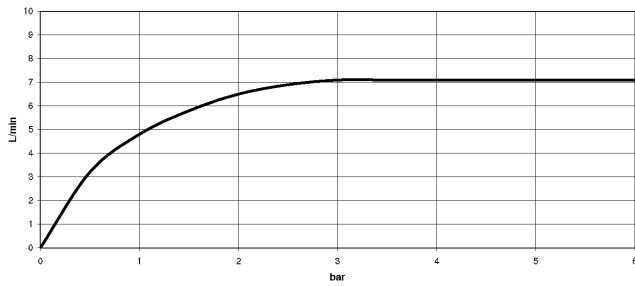
Rinsing spray set - Durabron (23kt Gold) 27 721 970-09

TARA Single-lever mixer for rinsing/Profi spray - Durabronze (23kt Gold)

33 826 888



Flow rate chart



Codes & Standards

DIN 4109	EN 817	ISO 3822	Scottish Water Byelaws
UK Water Supply Regulations	Ü-Zeichen	VA-Zeichen	



TARA Single-lever mixer for rinsing/Profi spray - Durabronz (23kt Gold)

33 826 888

Certificates

ETA_18

WRAS_2311

LGA_18

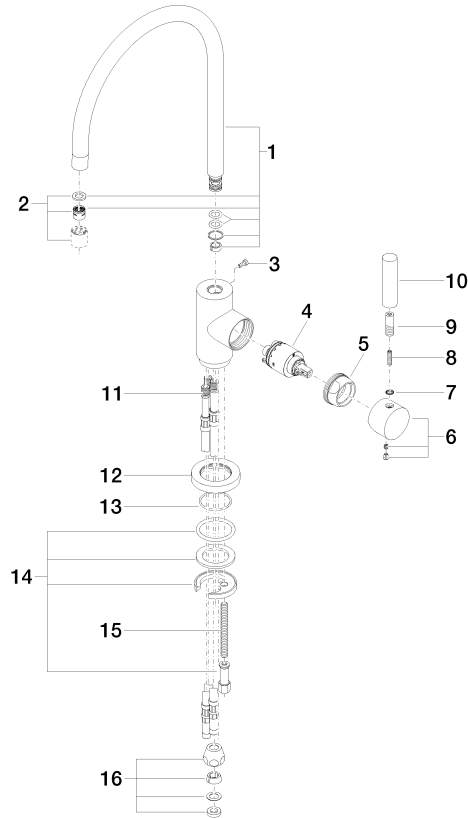


TARA Single-lever mixer for rinsing/Profi spray - Durabronz (23kt Gold)

33 826 888

Product version from 9/1/2021

Parts for other finishes can be found here: [Chrome](#)





TARA Single-lever mixer for rinsing/Profi spray - Durabronze (23kt Gold)

33 826 888

Spare parts list

Product version from 9/1/2021