

33 840 760



- 220mm projection
- pivotable spout 130°
- air-enriched flow
- height of mixer 167 mm
- height up to aerator 145 mm
- hole diameter 35 mm
- fabric braided hose 1500 mm
- max. flow 8 l/min at 3 bar flow pressure
- lead-free
- This product can help a building meet the requirements of Green Building Rating Systems, e.g. LEED®, BREEAM®, DGNB

Intrinsic protection against back flow.

	Brushed Chrome	33 840 760-93
	Chrome	33 840 760-00
	Brushed Platinum	33 840 760-06
	Platinum	33 840 760-08
	Dark Chrome	33 840 760-19
	Brushed Durabronze (23kt Gold)	33 840 760-28
	Brushed Champagne (22kt Gold)	33 840 760-46
	Champagne (22kt Gold)	33 840 760-47
	Brushed Dark Platinum	33 840 760-99

**Recommended miscellaneous**



**Dispenser without rosette -  
Brushed Chrome**

82 424 970-93

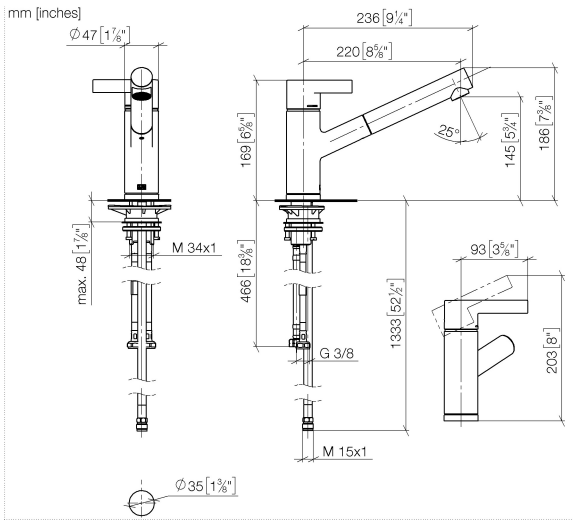
**Recommended miscellaneous**



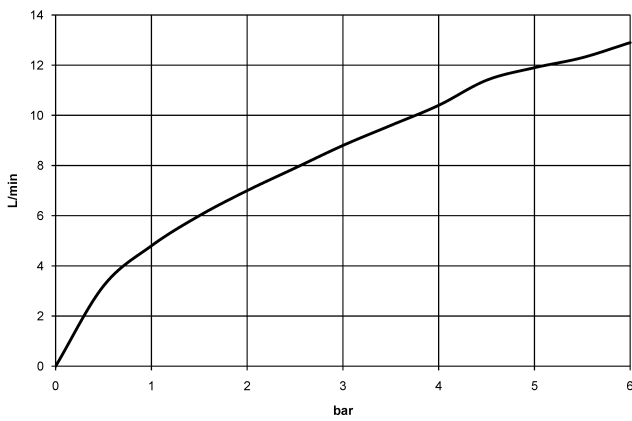
**Strainer waste with control handle  
- Brushed Chrome**

10 712 970-93

33 840 760



**Flow rate chart**



**Codes & Standards**

DIN 4109

EN 1717

Executive Order  
no. 1007

ISO 3822

**Ü-Zeichen**



## ENO Single-lever mixer Pull-out - Brushed Chrome

---

ENO

33 840 760

### Certificates

---

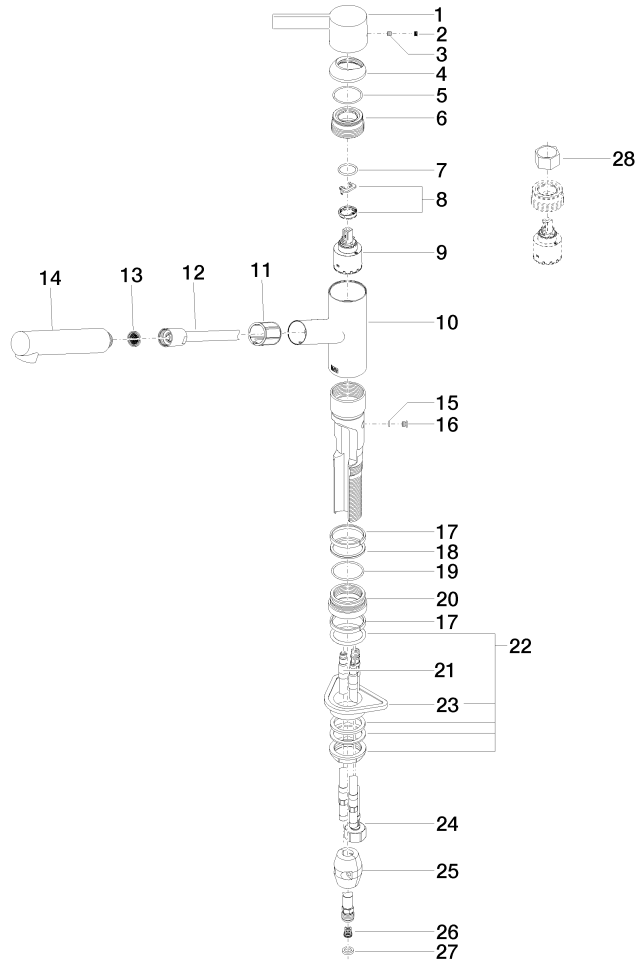
Belgaqua\_22\_277\_2 GDV\_0400

LGA\_19

33 840 760

**Product version from 5/7/2021**

Parts for other finishes can be found here: Chrome





## ENO Single-lever mixer Pull-out - Brushed Chrome

---

ENO

33 840 760

### **Spare parts list**

**Product version from 5/7/2021**