

33 845 760



- 220mm projection
- pivotable spout 130°
- air-enriched flow
- height of mixer 288 mm
- height up to aerator 187 mm
- hole diameter 35 mm
- 1600mm metal shower hose
- max. flow 10 l/min at 3 bar flow pressure
- lead-free
- This product can help a building meet the requirements of Green Building Rating Systems, e.g. LEED®, BREEAM®, DGNB

Intrinsic protection against back flow.

	Chrome	33 845 760-00
	Brushed Platinum	33 845 760-06
	Platinum	33 845 760-08
	Dark Chrome	33 845 760-19
	Brushed Durabronze (23kt Gold)	33 845 760-28
	Brushed Champagne (22kt Gold)	33 845 760-46
	Champagne (22kt Gold)	33 845 760-47
	Brushed Chrome	33 845 760-93
	Brushed Dark Platinum	33 845 760-99

**Recommended miscellaneous**

**Strainer waste with control handle - Chrome** 10 712 970-00

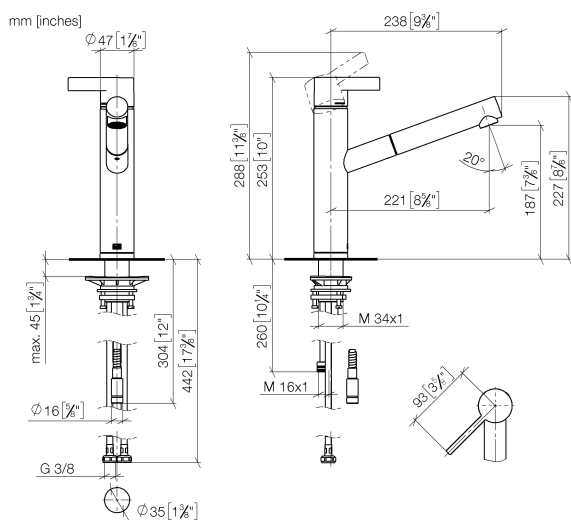


**Recommended miscellaneous**

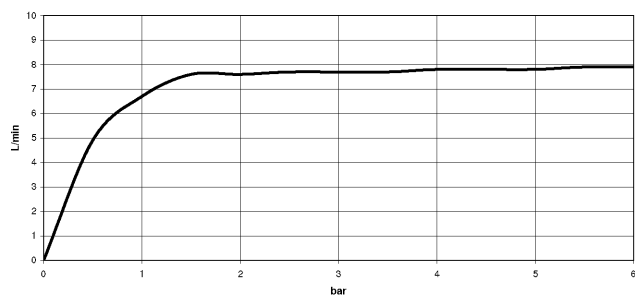
**Dispenser without rosette - Chrome** 82 424 970-00



33 845 760



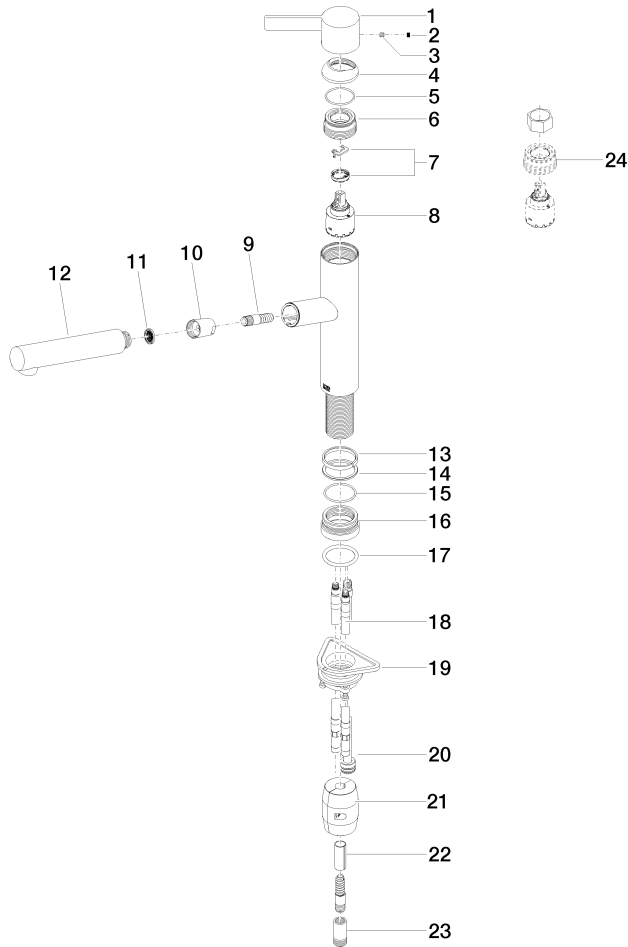
**Flow rate chart**



**Certificates**

LGA\_28655.      Belgaqua\_21-027-      GDV\_0400282.  
27\_3.

33 845 760



33 845 760

Spare parts list

No.	Item Number	Name	Quantity used	Delivery time
1	09 20 76 001-00	handle	1	10
2	90 31 20 109 00 90	plug	1	2
3	90 31 11 030 00 90	pin	1	2
4	09 28 30 012-00	cover	1	10
5	09 14 10 102 90	seal	1	2
6	09 24 04 270 90	nut	1	2
7	90 28 10 148 00 90	accessories	1	2
8	90 15 05 064 00 90	cartridge	1	2
9	04 30 02 121 00-00	hose	1	10
10	90 24 03 255 00-00	sleeve	1	10
11	09 23 01 039 90	sieve	1	2
12	04 12 11 106 00-00	shower	1	10
13	09 14 15 029 90	ring	1	2
14	09 28 10 144 90	ring	1	2
15	09 14 10 034 90	seal	1	2
16	09 27 76 001-00	rosette	1	10
17	09 14 10 036 90	seal	1	2
18	04 30 04 098 00 90	hose	2	60
19	04 30 11 040 00 90	fixing set	1	2
20	04 28 20 067 00 90	pipe	1	2
21	04 21 50 010 00 90	accessories	1	2
22	09 30 03 038 90	hose	1	2
23	90 24 03 253 00 90	adaptor	1	2
24	90 30 09 031 00 90	key	1	2