

ENO Single-lever mixer Pull-out - Dark Chrome

ENO

33 845 760



- 220mm projection
- pivotable spout 130°
- air-enriched flow
- height of mixer 288 mm
- height up to aerator 187 mm
- hole diameter 35 mm
- 1600mm metal shower hose
- max. flow 10 l/min at 3 bar flow pressure
- lead-free
- This product can help a building meet the requirements of Green Building Rating Systems, e.g. LEED®, BREEAM®, DGNB

Intrinsic protection against back flow.

| | | |
|--|--------------------------------|---------------|
|  | Dark Chrome | 33 845 760-19 |
|  | Chrome | 33 845 760-00 |
|  | Brushed Platinum | 33 845 760-06 |
|  | Platinum | 33 845 760-08 |
|  | Brushed Durabronze (23kt Gold) | 33 845 760-28 |
|  | Brushed Champagne (22kt Gold) | 33 845 760-46 |
|  | Champagne (22kt Gold) | 33 845 760-47 |
|  | Brushed Chrome | 33 845 760-93 |
|  | Brushed Dark Platinum | 33 845 760-99 |

Recommended miscellaneous



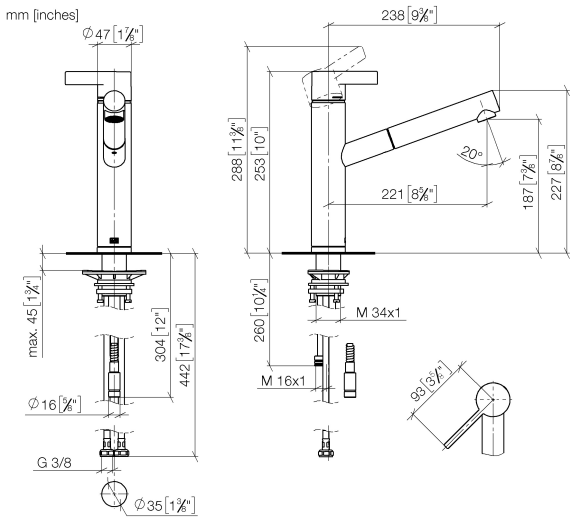
Dispenser without rosette - Dark Chrome 82 424 970-19

Recommended miscellaneous

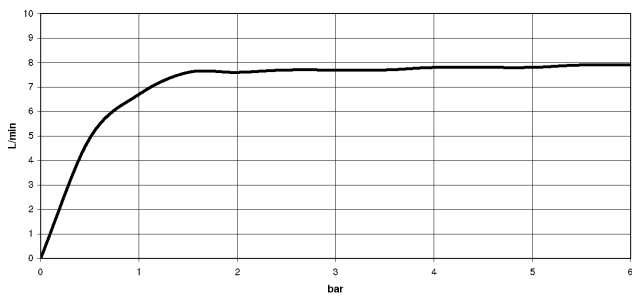


Strainer waste with control handle - Dark Chrome 10 712 970-19

33 845 760



Flow rate chart



Codes & Standards

Executive Order
no. 1007



ENO Single-lever mixer Pull-out - Dark Chrome

ENO

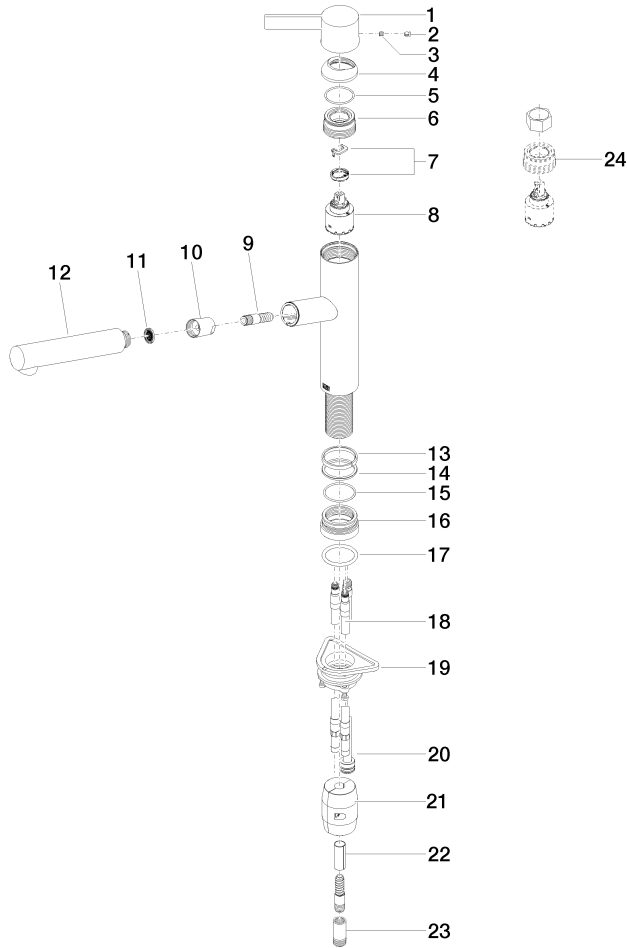
33 845 760

Certificates

GDV_0400

33 845 760

Parts for other finishes can be found here: [Chrome](#)





ENO Single-lever mixer Pull-out - Dark Chrome

ENO

33 845 760

Spare parts list