

33 845 875



- 552mm projection
- pivotable spout 360°
- air-enriched flow
- height of mixer 372 mm
- height up to aerator 290 mm
- rosette 55 mm
- hole diameter 30 mm
- max. flow 8 l/min at 3 bar flow pressure
- lead-free
- This product can help a building meet the requirements of Green Building Rating Systems, e.g. LEED®, BREEAM®, DGNB

	Brushed Chrome	33 845 875-93
	Chrome	33 845 875-00
	Brushed Platinum	33 845 875-06
	Platinum	33 845 875-08
	Durabrace (23kt Gold)	33 845 875-09
	Dark Chrome	33 845 875-19
	Brushed Durabrace (23kt Gold)	33 845 875-28
	Brushed Champagne (22kt Gold)	33 845 875-46
	Champagne (22kt Gold)	33 845 875-47
	Brushed Dark Platinum	33 845 875-99

Recommended miscellaneous



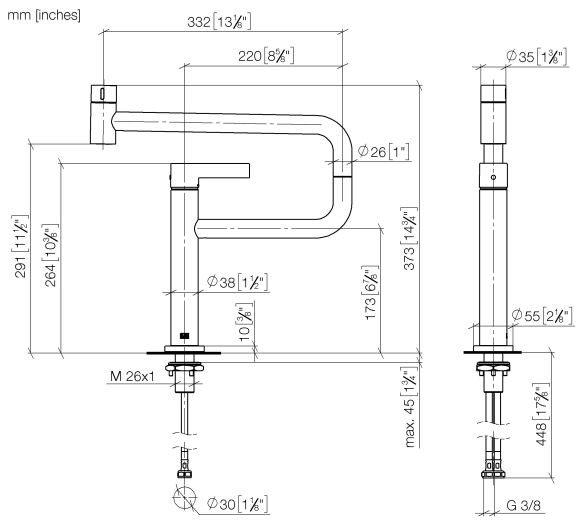
**Strainer waste with control handle - Brushed Chrome** 10 710 970-93

Recommended miscellaneous

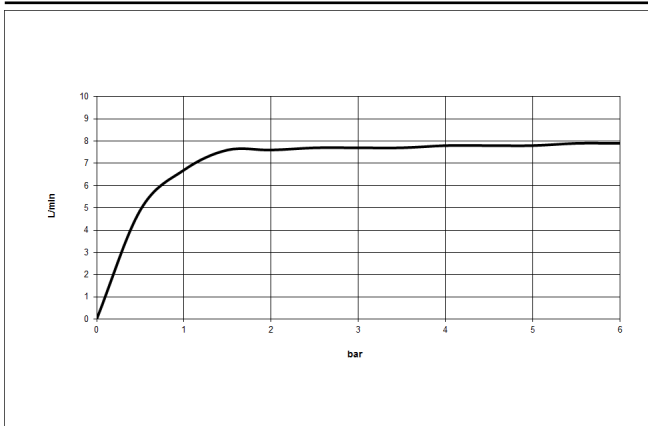


**Dispenser with rosette - Brushed Chrome** 82 444 970-93

33 845 875



**Flow rate chart**



**Codes & Standards**

DIN 4109

Executive Order  
no. 1007

ISO 3822

Ü-Zeichen



TARA ULTRA PIVOT Single-lever mixer - Brushed Chrome

TARA ULTRA

33 845 875

Certificates

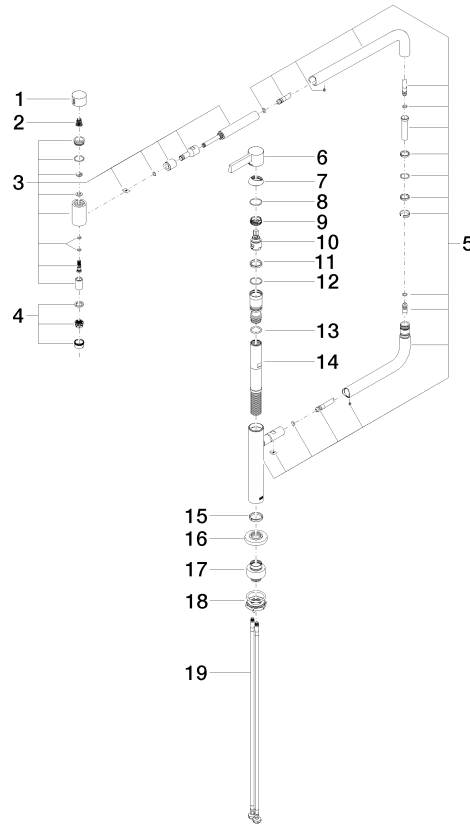
GDV\_0400

LGA\_28

33 845 875

**Product version from 5/3/2021**

Parts for other finishes can be found here: [Chrome](#)





TARA ULTRA PIVOT Single-lever mixer - Brushed Chrome

TARA ULTRA

33 845 875

**Spare parts list**

**Product version from 5/3/2021**

No.	Item Number	Name	Quantity used	Delivery time
	09 20 62 025-93	handle	20	60