

33 870 861

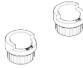


- 240mm projection
- pivotable spout 360°
- Optional swivel limiter available with swivel limiter set 12 823 970 90
- laminar and spray flow
- 1800 mm metal shower hose
- sprayface with anti-scaling system
- max. flow 10.4 l/min at 3 bar flow pressure
- lead-free
- This product can help a building meet the requirements of Green Building Rating Systems, e.g. LEED®, BREEAM®, DGNB


Intrinsic protection against back flow.

| | | |
|--|--------------------------------|---------------|
|  | Platinum | 33 870 861-08 |
|  | Chrome | 33 870 861-00 |
|  | Brushed Platinum | 33 870 861-06 |
|  | Durabronze (23kt Gold) | 33 870 861-09 |
|  | Dark Chrome | 33 870 861-19 |
|  | Brushed Durabronze (23kt Gold) | 33 870 861-28 |
|  | Matte Black | 33 870 861-33 |
|  | Brushed Champagne (22kt Gold) | 33 870 861-46 |
|  | Champagne (22kt Gold) | 33 870 861-47 |
|  | Brushed Chrome | 33 870 861-93 |
|  | Brushed Dark Platinum | 33 870 861-99 |

Recommended miscellaneous

| | | |
|---|--------------------------------|---------------|
|  | Swivel limitation set - | 12 823 970 90 |
|---|--------------------------------|---------------|

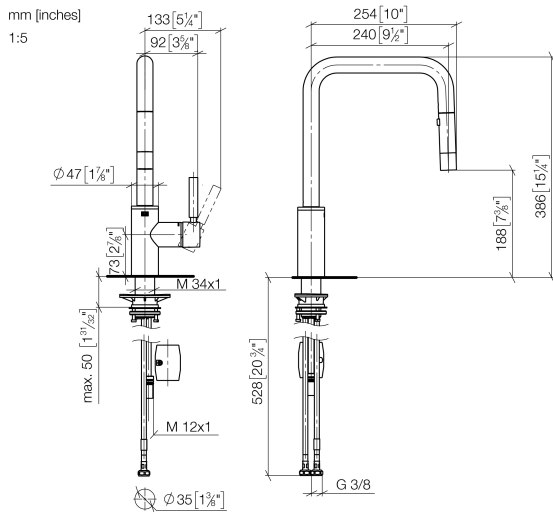
Recommended miscellaneous

| | | |
|---|--|---------------|
|  | Strainer waste with control handle - Platinum | 10 712 970-08 |
|---|--|---------------|

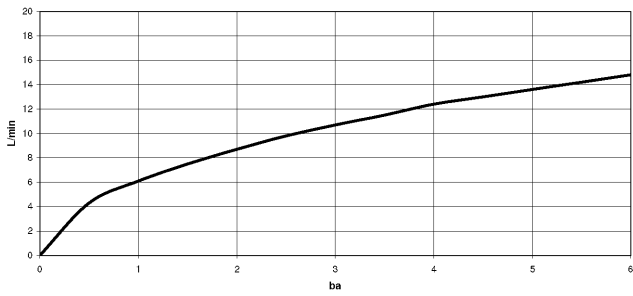
Recommended miscellaneous

| | | |
|---|---|---------------|
|  | Dispenser without rosette - Platinum | 82 424 970-08 |
|---|---|---------------|

33 870 861



Flow rate chart



Codes & Standards

DIN 4109

EN 1717

ISO 3822

Ü-Zeichen



META SQUARE Single-lever mixer Pull-down with spray function - Platinum

META SQUARE

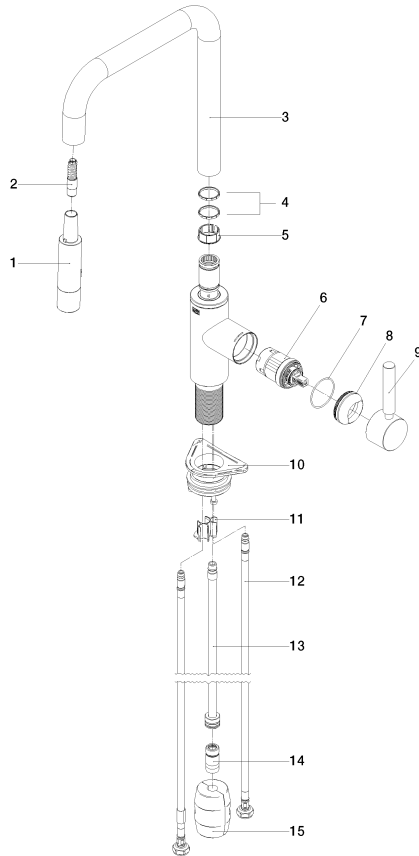
33 870 861

Certificates

Belgaqua_24-005-2 LGA_38

33 870 861

Product version from 2/1/2023





META SQUARE Single-lever mixer Pull-down with spray function - Platinum

META SQUARE

33 870 861

Spare parts list

Product version from 2/1/2023

| No. | Item Number | Name | Quantity used | Delivery time |
|-----|--------------------|--------|---------------|---------------|
| | 90 12 11 148 00-08 | shower | 17 | 40 |