



# TARA ULTRA Single-lever mixer Pull-down with spray function - Durabronss (23kt Gold)

TARA ULTRA

33 870 875



- 240mm projection
- pivotable spout 360°
- Optional swivel limiter available with swivel limiter set 12 823 970 90
- laminar and spray flow
- height of mixer 500 mm
- height up to laminar flow regulator 240 mm
- hole diameter 35 mm
- 1800 mm metal shower hose
- sprayface with anti-scaling system
- max. flow 10.4 l/min at 3 bar flow pressure
- lead-free
- This product can help a building meet the requirements of Green Building Rating Systems, e.g. LEED®, BREEAM®, DGNB

Intrinsic protection against back flow.

	Durabronss (23kt Gold)	33 870 875-09
	Chrome	33 870 875-00
	Brushed Platinum	33 870 875-06
	Platinum	33 870 875-08
	Dark Chrome	33 870 875-19
	Brushed Durabronss (23kt Gold)	33 870 875-28
	Matte Black	33 870 875-33
	Brushed Champagne (22kt Gold)	33 870 875-46
	Champagne (22kt Gold)	33 870 875-47
	Brushed Chrome	33 870 875-93
	Brushed Dark Platinum	33 870 875-99

## Recommended miscellaneous

	<b>Swivel limitation set -</b>	12 823 970 90
--	--------------------------------	---------------

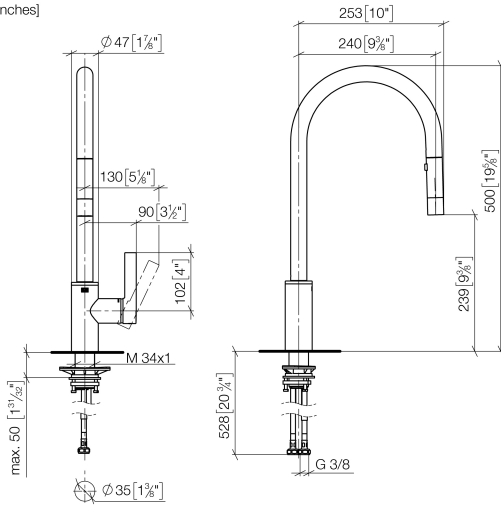
## Recommended miscellaneous

	<b>Dispenser without rosette - Durabronss (23kt Gold)</b>	82 424 970-09
--	---	---------------

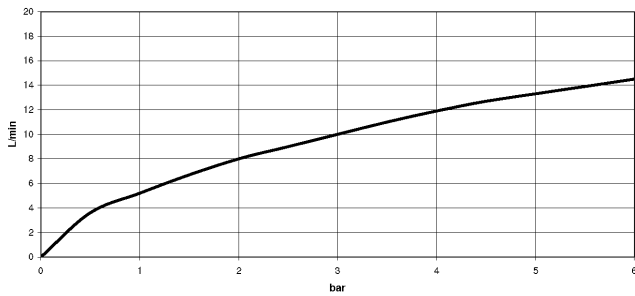
## Recommended miscellaneous

	<b>Strainer waste with control handle - Durabronss (23kt Gold)</b>	10 712 970-09
--	--	---------------

33 870 875  
mm [inches]



**Flow rate chart**



**Codes & Standards**

DIN 4109

Executive Order  
no. 1007

ISO 3822

Ü-Zeichen



TARA ULTRA Single-lever mixer Pull-down with spray function - Durabronss  
(23kt Gold)

---

TARA ULTRA

33 870 875  
Certificates

---

LGA\_28

GDV\_0400

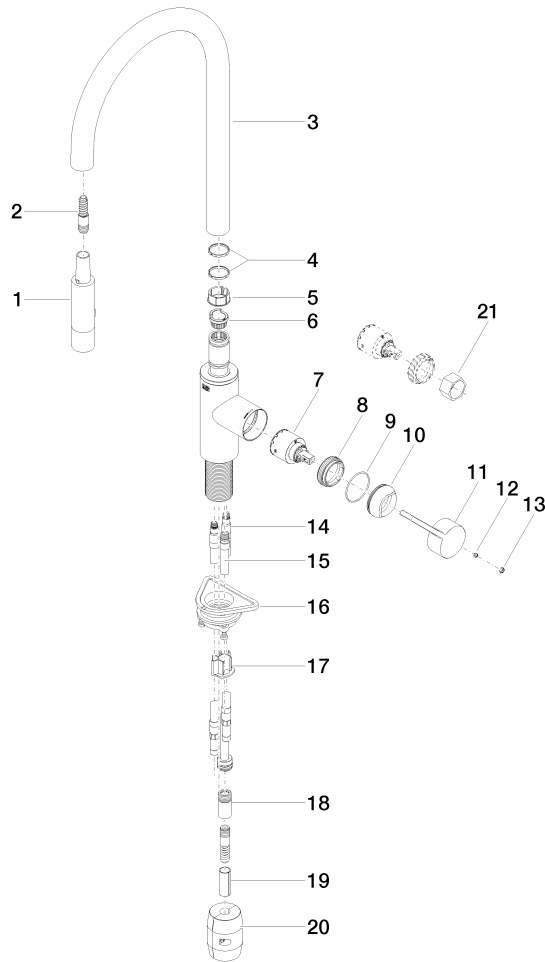


# TARA ULTRA Single-lever mixer Pull-down with spray function - Durabronze (23kt Gold)

TARA ULTRA

33 870 875

Product version from 6/1/2021





TARA ULTRA Single-lever mixer Pull-down with spray function - Durabrass  
(23kt Gold)

---

TARA ULTRA

33 870 875

## **Spare parts list**

**Product version from 6/1/2021**